

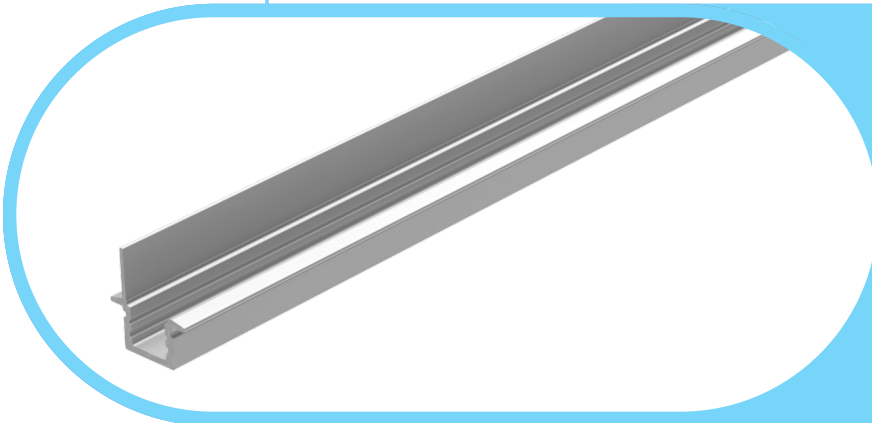


Complete Specification Sheet

CH-0401

CH-0401

Extruded Aluminum Mounting Channel



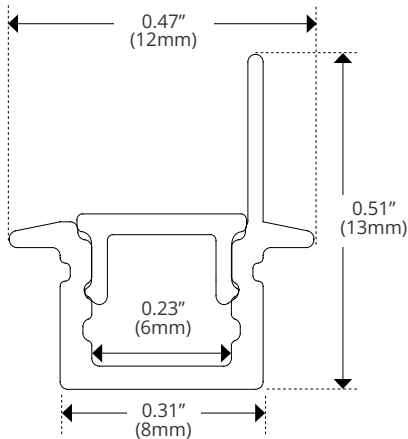
Specifications

Category	Rigid Channel
Series	Adjustable / Surface
Family	CH-0401
Width	0.47in (12mm)
Internal Width	0.23in (6mm)
Height	0.51in (13mm)
Material	Aluminum

Features

- Available in 2 Meter Sections
- Extruded Aluminum Construction
- Anodized Matte Finish
- Consult Factory for Custom Lengths & Finishes
- Add Linear Lighting to the Tightest of Spaces With Our Thin Line Tape and Channel
- Store in Temperature-Controlled Environment.

Dimensions



Kelvix reserves the right to update the product specifications at any time. To maintain warranty, field modifications must follow approved Kelvix installation instruction.

Fixture Type _____

Project Name _____

Location _____

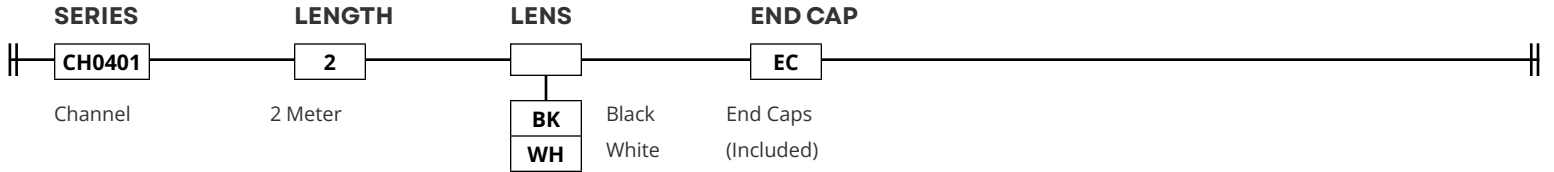


Product Code Builder

CH-0401

Product Code Builder

Example: CH0400-2-WH-EC



LENS

Black



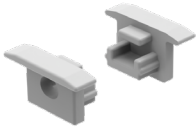
CH-LNS-AJ-BK-2M

TRANSMISSION

BK	30%
WH	70%


END CAP

End Cap



CH-EC-0401

White



CH-LNS-AJ-WH-2M

Kelvix reserves the right to update the product specifications at any time. To maintain warranty, field modifications must follow approved Kelvix installation instruction.

Fixture Type _____

Project Name _____

Location _____