



# Complete Specification Sheet

## CH-031-C



# Channel 031-C

Extruded Aluminum Mounting Channel

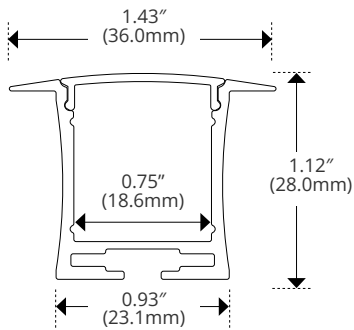
### Specifications

<b>Category</b>	Rigid Channel
<b>Series</b>	Recessed
<b>Family</b>	CH-031-C
<b>Width</b>	1.43in (36.0mm)
<b>Internal Width</b>	0.75in (18.6mm)
<b>Height</b>	1.12in (28.0mm)
<b>Material</b>	Aluminum

### Features

- Available in 2 Meter Sections
- Extruded Aluminum Construction
- Anodized Matte Finish
- Consult Factory for Custom Lengths & Finishes
- Mitered Corner Available Upon Request

### Dimensions



Kelvix reserves the right to update the product specifications at any time. To maintain warranty, field modifications must follow approved Kelvix installation instruction.

Fixture Type \_\_\_\_\_

Project Name \_\_\_\_\_

Location \_\_\_\_\_

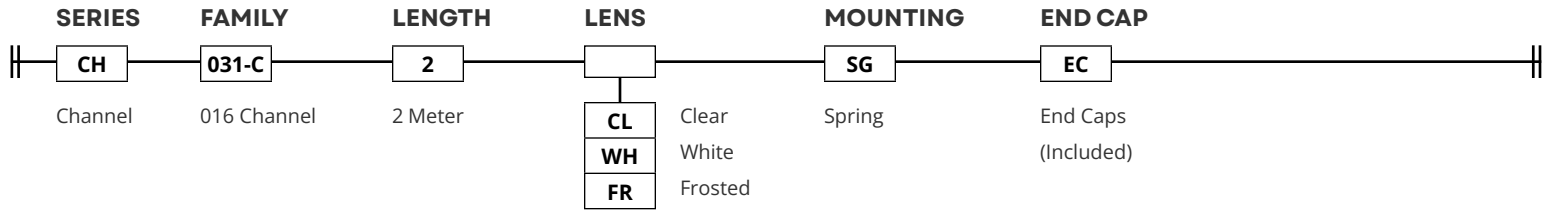


# Product Code Builder

## CH-031-C

### Product Code Builder

Example: CH-031-C-2-WH-SG-EC



#### LENS

Clear



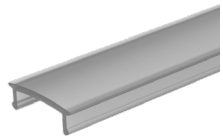
CH-LNS-AC-CL-2M

White



CH-LNS-AC-WH-2M

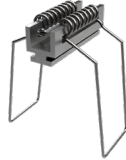
Frosted



CH-LNS-AC-FR-2M

#### MOUNTING

Spring Clip



CH-CLP-031-SPRING

#### END CAP

End Cap



CH-EC-031

Kelvix reserves the right to update the product specifications at any time. To maintain warranty, field modifications must follow approved Kelvix installation instruction.

Fixture Type \_\_\_\_\_

Project Name \_\_\_\_\_

Location \_\_\_\_\_