



Complete Specification Sheet

CH-014-C



CH-014-C

Extruded Aluminum Mounting Channel

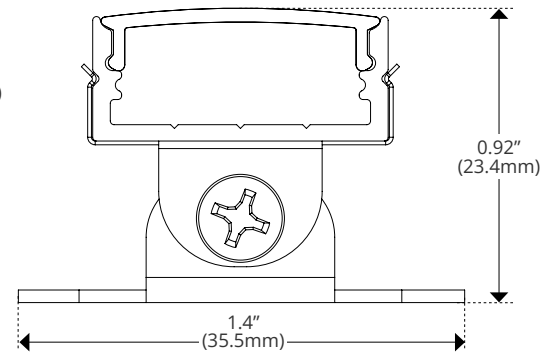
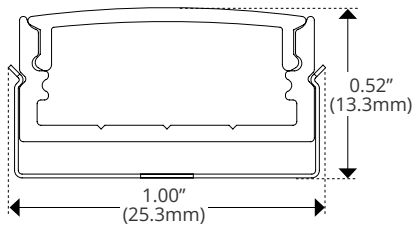
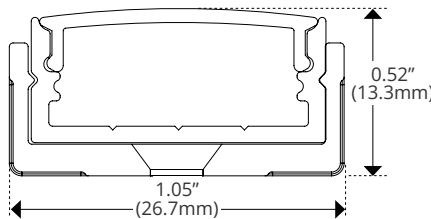
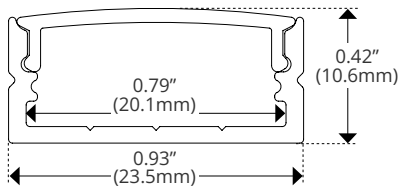
Specifications

Category	Rigid Channel
Series	Adjustable / Surface
Family	CH-014-C
Width	0.93in (23.5mm)
Internal Width	0.79in (20.1mm)
Height	0.42in (10.6mm)
Material	Aluminum

Features

- Available in 2 Meter Sections
- Extruded Aluminum Construction
- Anodized Matte Finish
- Consult Factory for Custom Lengths & Finishes

Dimensions



Kelvix reserves the right to update the product specifications at any time. To maintain warranty, field modifications must follow approved Kelvix installation instruction.

Fixture Type _____

Project Name _____

Location _____

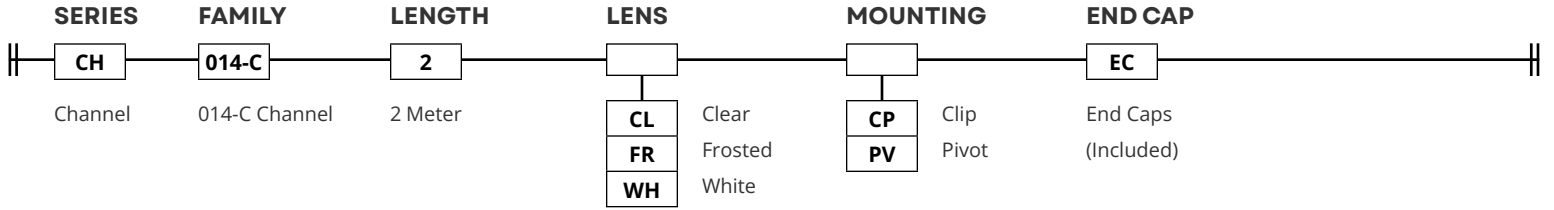


Product Code Builder

CH-014-C

Product Code Builder

Example: CH-014-C-2-WH-CP-EC



LENS

Clear



CH-LNS-AC-CL-2M

Frosted



CH-LNS-AC-FR-2M

White



CH-LNS-AC-WH-2M

TRANSMISSION

CL	99%
FR	80%
WH	57%

MOUNTING

Clip



CH-014-PAK-P

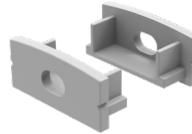
Pivot



CH-014-PAK-PV

END CAP

End Cap



CH-014-PAK-P

Kelvix reserves the right to update the product specifications at any time. To maintain warranty, field modifications must follow approved Kelvix installation instruction.

Fixture Type _____

Project Name _____

Location _____