



Complete Specification Sheet

CH-004

Channel 004

Extruded Aluminum Mounting Channel



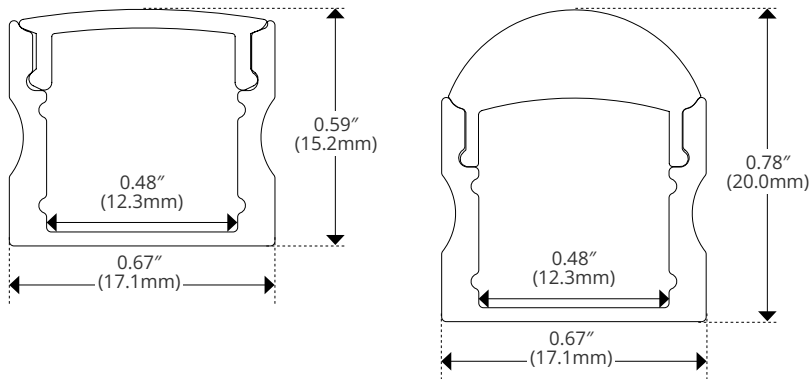
Specifications

Category	Rigid Channel
Series	Surface
Family	CH-004
Width	0.67in (17.1mm)
Internal Width	0.48in (12.3mm)
Height	0.59in (15.2mm)
Material	Aluminum

Features

- Available In 78.74" (2m) Sections
- Extruded Aluminum Construction
- Anodized Matte Finish
- Consult Factory for Custom Lengths and Finishes

Dimensions



Kelvix reserves the right to update the product specifications at any time. To maintain warranty, field modifications must follow approved Kelvix installation instruction.

Fixture Type _____

Project Name _____

Location _____

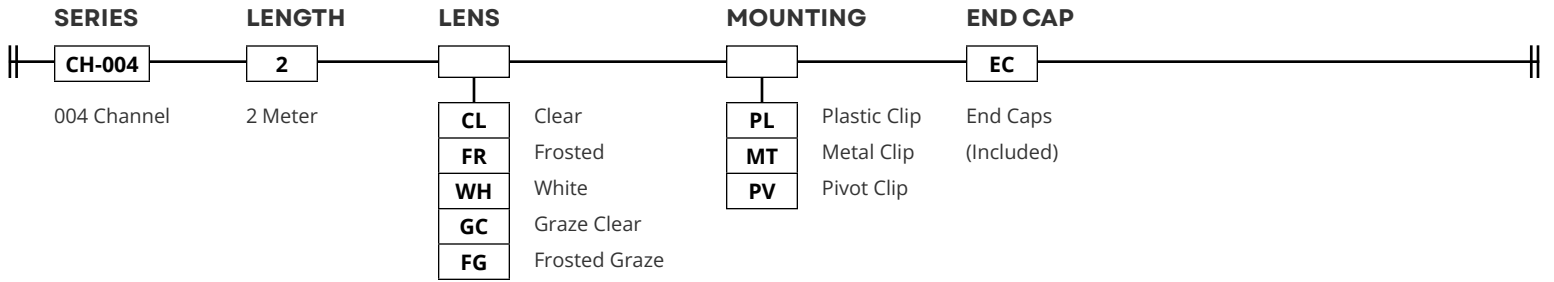


Product Details

CH-004

Product Code Builder

Example: CH004-2-WH-EC



LENS

Clear



CH-LNS-A-CL-2M

Clear Graze



CH-LNS-G-CL-2M

Frosted



CH-LNS-A-FR-2M

Frosted Graze



CH-LNS-G-FR-2M

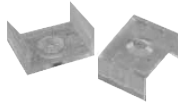
White



CH-LNS-A-WH-2M

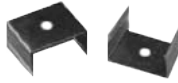
MOUNTING

PL



CH-004-PAK-P

MT



CH-004-PAK-M

PV



CH-CLP-502-PV

END CAP

EC



CH-EC-004

EC



CH-EC-004-RL

Kelvix reserves the right to update the product specifications at any time. To maintain warranty, field modifications must follow approved Kelvix installation instruction.

Fixture Type _____

Project Name _____

Location _____