



Complete Specification Sheet

CH-003

Channel 003

Extruded Aluminum Mounting Channel



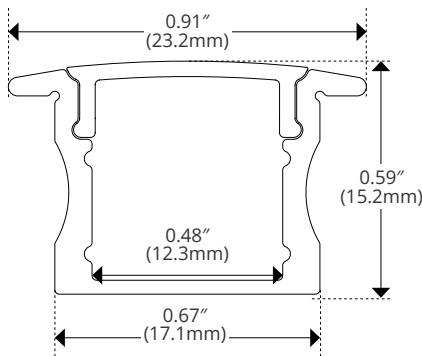
Specifications

Category	Rigid Channel
Series	Recessed
Family	CH-003
Width	0.91in (23.2mm)
Internal Width	0.48in (12.3mm)
Height	0.59in (15.2mm)
Material	Aluminum

Features

- Available In 78.74" (2m) Sections
- Extruded Aluminum Construction
- Anodized Matte Finish
- Consult Factory for Custom Lengths and Finishes

Dimensions



Kelvix reserves the right to update the product specifications at any time. To maintain warranty, field modifications must follow approved Kelvix installation instruction.

Fixture Type _____

Project Name _____

Location _____

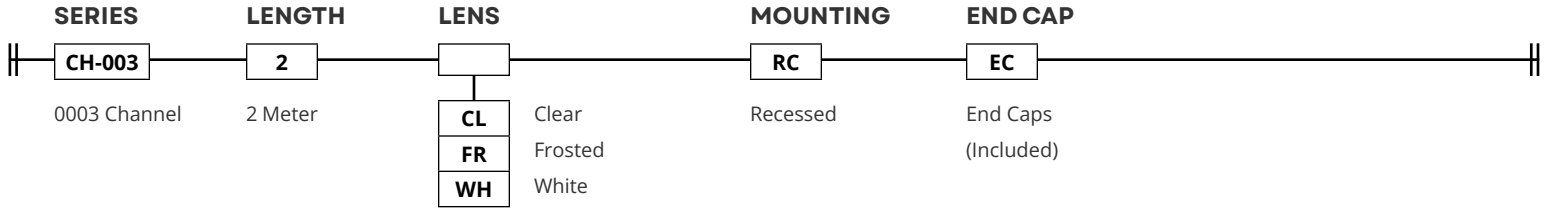


Product Details

CH-003

Product Code Builder

Example: CH003-2-WH-EC



LENS

Clear



CH-LNS-A-CL-2M

Frosted



CH-LNS-A-FR-2M

White



CH-LNS-A-WH-2M

END CAP

EC



CH-EC-003

Kelvix reserves the right to update the product specifications at any time. To maintain warranty, field modifications must follow approved Kelvix installation instruction.

Fixture Type _____

Project Name _____

Location _____