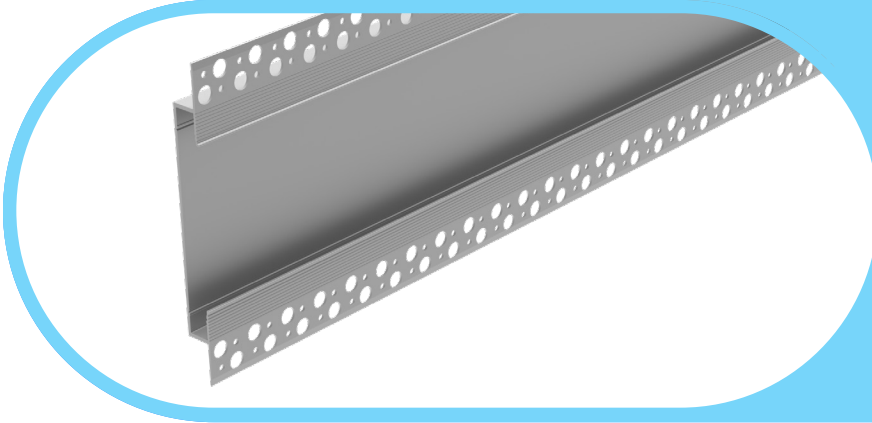




Complete Specification Sheet

CH-0010



Channel 0010

Extruded Aluminum Mounting Channel

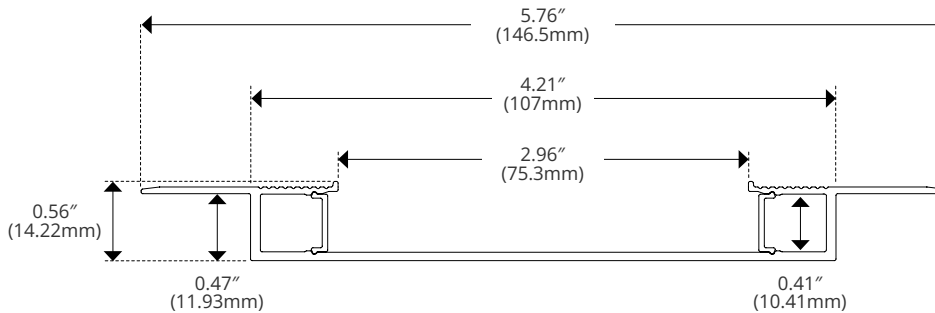
Specifications

| | |
|----------------|-------------------|
| Category | Rigid Channel |
| Series | Trimless / Mud-In |
| Family | CH-0010 |
| Width | 5.76in (146.5mm) |
| Internal Width | 0.41in (10.41mm) |
| Height | 0.56in (14.22mm) |
| Material | Aluminum |

Features

- Create perfectly flush, seamless lines of light without modifying the structure behind the sheet rock.
- Available in 2 Meter Sections
- Extruded Aluminum Construction
- Anodized Matte Finish
- Straight and Angled Connectors Available to Create Long, Continuous Runs
- Drywall Mud-in Mounting for a Seamless Recessed Look
- Consult Factory for Custom Lengths and Finishes
- Available In Various Finish Colors

Dimensions



Kelvix reserves the right to update the product specifications at any time. To maintain warranty, field modifications must follow approved Kelvix installation instruction.

Fixture Type _____

Project Name _____

Location _____

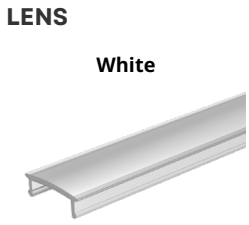
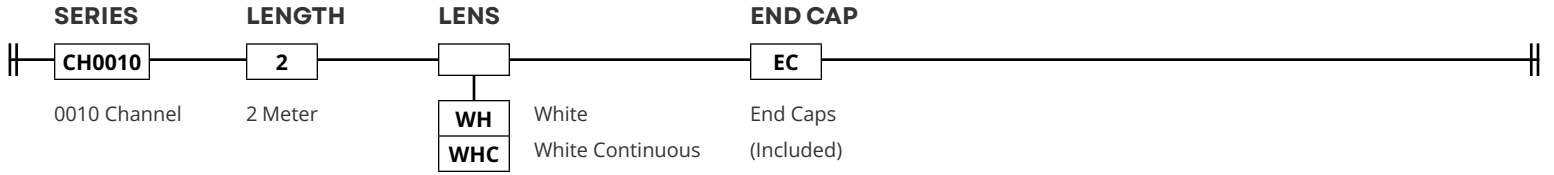


Product Code Builder

CH-0010

Product Code Builder

Example: CH010-2-WH-EC



CH-LNS-AG-WH-2M

TRANSMISSION

| | |
|-----|-----|
| WH | 70% |
| WHC | 70% |



CH-EC-0010



CH-LNS-AG-WH-CO



Used to protect interior LED area during Installation

Kelvix reserves the right to update the product specifications at any time. To maintain warranty, field modifications must follow approved Kelvix installation instruction.

Fixture Type _____

Project Name _____

Location _____