



Complete Specification Sheet

Advatek PixLite R2F-S/R4D-S

Advatek PixLite R2F-S/R4D-S

Long Range Pixel Data Receiver



Specifications

Category	Partner Products
Series	Advatek
Family	RCV-S
Input Voltage	5 - 24V DC
Per Output Current Limit	7.5A (Mini Blade Fuse)
Total Current Limit	R2F-S: 15A, R4D-S: 30A
Length	3.75in (95.0mm)
Width	3.00in (78.0mm)
Height	1.30in (33.0mm)
Physical	Wall Mounted, DIN Rail
Operating Temp.	14F (-10 °C) to 140F (60 °C)
Pixel Protocols	50+
Max Devices	Up to 8 Receivers Per Transmitter
Dimming Input	Single RJ45 Input (from T8-S MK3)
Dimming Output	SPI (must be used with T8MK3 or T16MK3 Transmitter)

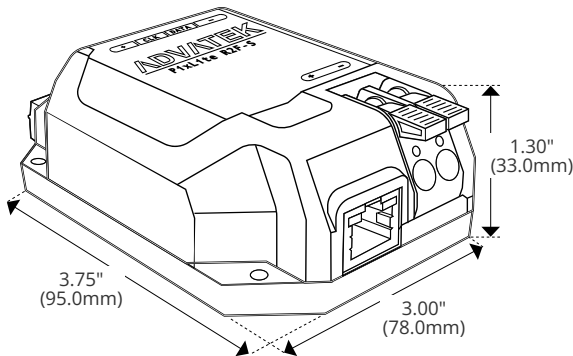
Features

- Receive Pixel Data up to 984ft (300m)
- Compact and Slim Design
- Over 50+ Pixel Protocols Supported
- 7.5A Fused Protection Per Output

Description

The durable and secure TX-R2F/R4D pixel LED receiver is designed for seamless integration with the TX-T8MK3 for long-distance data transmission. With its slimline form factor and ease of use, create stunning, professional grade light shows over extended distances effortlessly. The R2F can be paired with the T8MK3 or T16MK3 transmitter. The R4D is only paired with T8MK3.

Dimensions



Kelvix reserves the right to update the product specifications at any time. Field modifications will void Kelvix warranty

Fixture Type _____

Project Name _____

Location _____

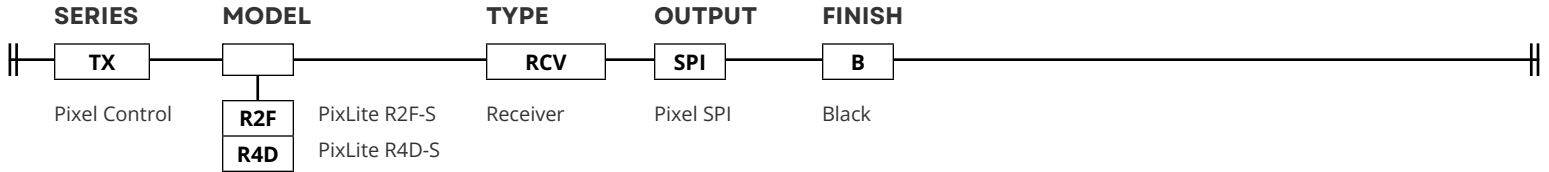


Product Code Builder

Advatek PixLite R2F-S/R4D-S

Product Code Builder

Example: TX-R2F-RCV-SPI-B

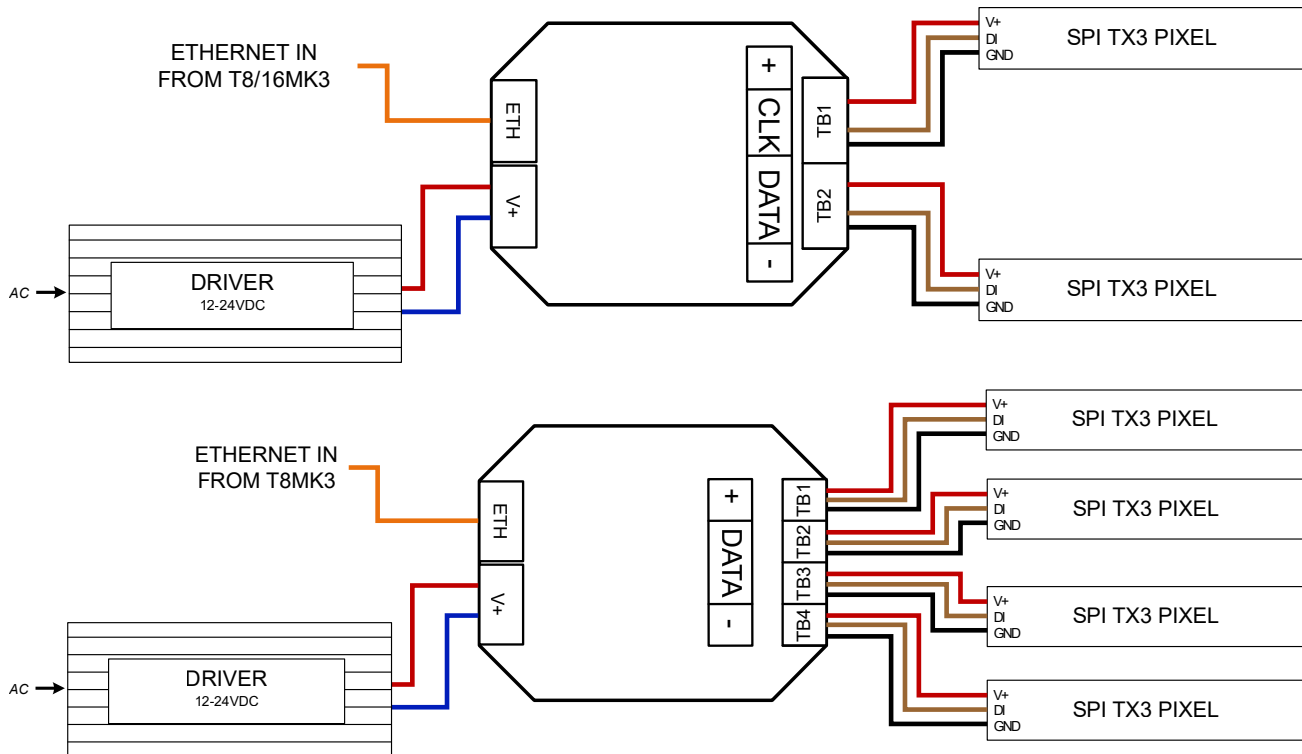


Product Data

Model	Pixel Outputs	RGB/RGBW Pixels Per Output	Universes Per Pixel Output	Total Pixel Universes
R2F	2	1020/768	6	12
R4D	4	510/384	3	12

Output	
SPI R2F	(2) 4 Wire Terminal Blocks for pixel strips - includes V+, V-, Data, Clock
SPI R4D	(4) 3 Wire Terminal Blocks for pixel strips - includes V+, V-, Data
Interfaces	
RJ45	Single RJ45 Port for pixel data from T8-S MK3 or T16-S MK3 Transmitter

Wiring Diagram



Kelvix reserves the right to update the product specifications at any time. Field modifications will void Kelvix warranty

Fixture Type _____

Project Name _____

Location _____