



# Complete Specification Sheet

## AC Fizzix Static White



### AC FIZZIX Static White

24V Modular Linear LED Lighting System



### Specifications

|                        |                                   |
|------------------------|-----------------------------------|
| <b>Category</b>        | Fixture                           |
| <b>Series</b>          | AC Fizzix                         |
| <b>Family</b>          | Static White                      |
| <b>Watts per Foot</b>  | 4.8W                              |
| <b>IP Rating</b>       | IP20                              |
| <b>CRI</b>             | 90+                               |
| <b>CCT Options</b>     | 2700K, 3000K, 3500K, 4000K, 5000K |
| <b>Input Voltage</b>   | 120V AC                           |
| <b>Width</b>           | 0.71in (18mm)                     |
| <b>Height</b>          | 0.79in (20mm)                     |
| <b>Max Run Length</b>  | 65.6ft (20M)                      |
| <b>Material</b>        | Aluminum                          |
| <b>Beam Angle</b>      | 117°                              |
| <b>Lumens per Foot</b> | 270 - 296 lm/ft                   |
| <b>Life Expectancy</b> | 50,000 Hour Life                  |
| <b>Storage Temp.</b>   | -4°F (-20°C) to 140°F (60°C)      |
| <b>Operating Temp.</b> | -4°F (-20°C) to 113°F (45°C)      |
| <b>Dimming Options</b> | Triac, ELV                        |
| <b>Warranty</b>        | 3 Years                           |

### Features

- Direct View Without Diode Imaging
- Easy Linking Straight & Corner Connection
- Up to 65.6ft Maximum Run Length
- Supports Title 24 JA8-2019 Compliance
- TRIAC/ELV Dimmable

### Description

As an expansion to the Fizzix™ product family, AC Fizzix offers integrated 120V diode-free illumination combined with various length options available. AC Fizzix is affordable and simple to install, offering straight and corner connectors. AC Fizzix is a great fit for linear installations such as displays, coves, undercabinet, and direct view lighting.

Kelvix reserves the right to update the product specifications at any time. To maintain warranty, field modifications must follow approved Kelvix installation instruction.  
 Conforms to ANSI/UL Standard 1598. Certified to CAN/CSA Standard C22.2 No. 250.0  
 5% tolerance for all listed data.

Fixture Type \_\_\_\_\_

Project Name \_\_\_\_\_

Location \_\_\_\_\_

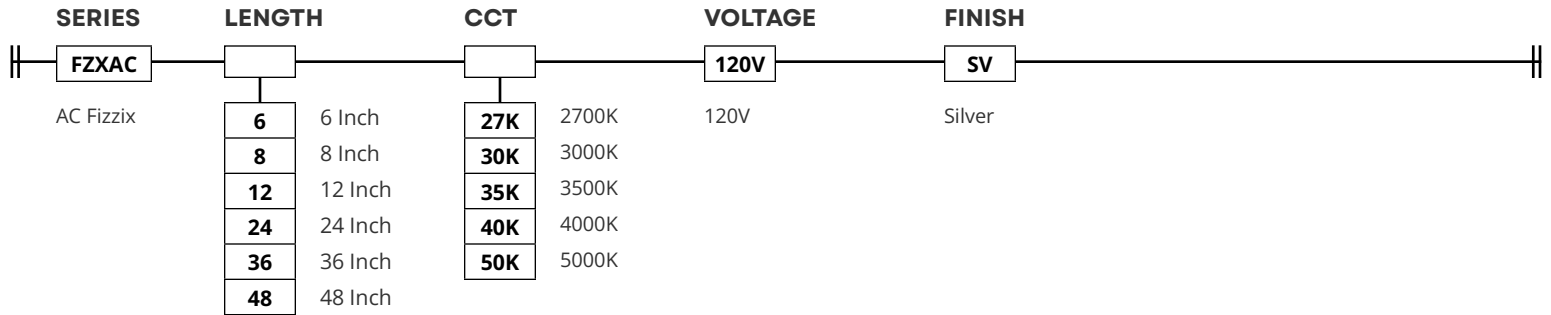


# Product Code Builder

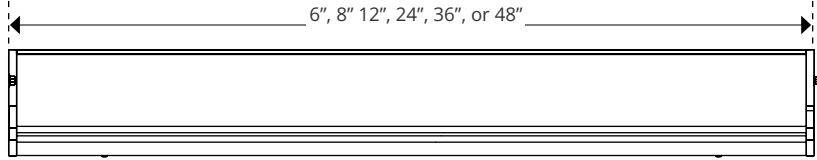
## AC Fizzix Static White

### Product Code Builder

Example: FZXAC-12-30K-120V-SV-NA



### LENGTH



### CCT

| Length | Lumens (3000K) |
|--------|----------------|
| 6in    | 135lm          |
| 8in    | 181lm          |
| 12in   | 272lm          |
| 24in   | 543lm          |
| 36in   | 813lm          |
| 48in   | 1085lm         |

### FINISH



Kelvix reserves the right to update the product specifications at any time. To maintain warranty, field modifications must follow approved Kelvix installation instruction.  
 5% tolerance for all listed data

Fixture Type \_\_\_\_\_

Project Name \_\_\_\_\_

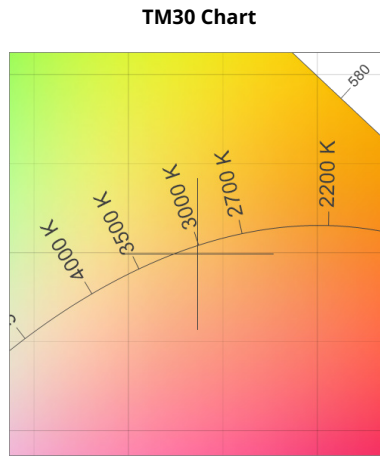
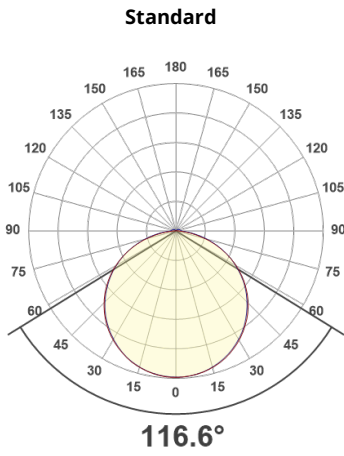
Location \_\_\_\_\_



# Product Details

## AC Fizzix Static White

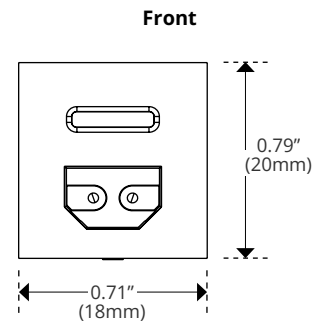
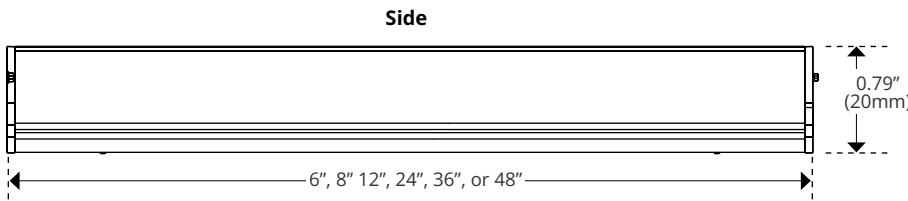
### Photometric



### Performance

| Model | Fixture Length (inches) | Wattage (W) | 2700K Output (Lumens) | 3000K Output (Lumens) | 3500K Output (Lumens) | 4000K Output (Lumens) | 5000K Output (Lumens) |
|-------|-------------------------|-------------|-----------------------|-----------------------|-----------------------|-----------------------|-----------------------|
| 6     | 5.98"                   | 2.4W        | 134                   | 135                   | 139                   | 139                   | 148                   |
| 8     | 7.99"                   | 3.2W        | 180                   | 181                   | 186                   | 185                   | 197                   |
| 12    | 12.01"                  | 4.8W        | 270                   | 272                   | 280                   | 279                   | 296                   |
| 24    | 24.02"                  | 9.6W        | 540                   | 543                   | 559                   | 558                   | 593                   |
| 36    | 35.98"                  | 14.4W       | 809                   | 813                   | 838                   | 835                   | 888                   |
| 48    | 47.99"                  | 19.2W       | 1079                  | 1085                  | 1117                  | 1114                  | 1184                  |

### Dimensions



Kelvix reserves the right to update the product specifications at any time. To maintain warranty, field modifications must follow approved Kelvix installation instruction.  
5% tolerance for all listed data

Fixture Type \_\_\_\_\_

Project Name \_\_\_\_\_

Location \_\_\_\_\_



# Compatible Dimmer Details

## AC Fizzix

| Brand   | Model   | Part Number | Dimming Type        | Dimming Range |
|---------|---------|-------------|---------------------|---------------|
| Lutron  | Diva    | DVCL-153P   | Forward Phase       | 100% - 0.1%   |
|         |         | DVLV-600P   | Forward Phase       | 100% - 0.2%   |
|         |         | DV-600P     | Forward Phase       | 100% - 0.1%   |
|         |         | DVSLV-600P  | Forward Phase       | 100% - 0.1%   |
|         |         | DVELV-300P  | Reverse Phase (ELV) | 100% - 0.8%   |
|         | Skylark | SCL-153P    | Forward Phase       | 100% - 0.1%   |
|         |         | S-600       | Forward Phase       | 100% - 0.1%   |
|         | Lumea   | LGCL-153P   | Forward Phase       | 100% - 0.1%   |
|         |         | LECL-153P   | Forward Phase       | 100% - 0.2%   |
|         | Dalia   | RCL-153PNL  | Forward Phase       | 100% - 0.1%   |
|         | Toggler | TGCL-153P   | Forward Phase       | 100% - 0.2%   |
|         | Sunnata | STCL-153M   | Forward Phase       | 100% - 0.1%   |
|         | Ariadni | AYLV-600P   | Forward Phase       | 100% - 0.2%   |
|         | Maestro | MA-PRO      | Phase Adaptive      | 100% - 0.1%   |
|         | Caseta  | PD-5NE      | Phase Adaptive      | 100% - 0.1%   |
| Leviton | Decora  | IPL06       | Forward Phase       | 100% - 0.1%   |
|         |         | DSL06       | Forward Phase       | 100% - 0.2%   |

Kelvix reserves the right to update the product specifications at any time. To maintain warranty, field modifications must follow approved Kelvix installation instruction.  
5% tolerance for all listed data

Fixture Type \_\_\_\_\_

Project Name \_\_\_\_\_

Location \_\_\_\_\_



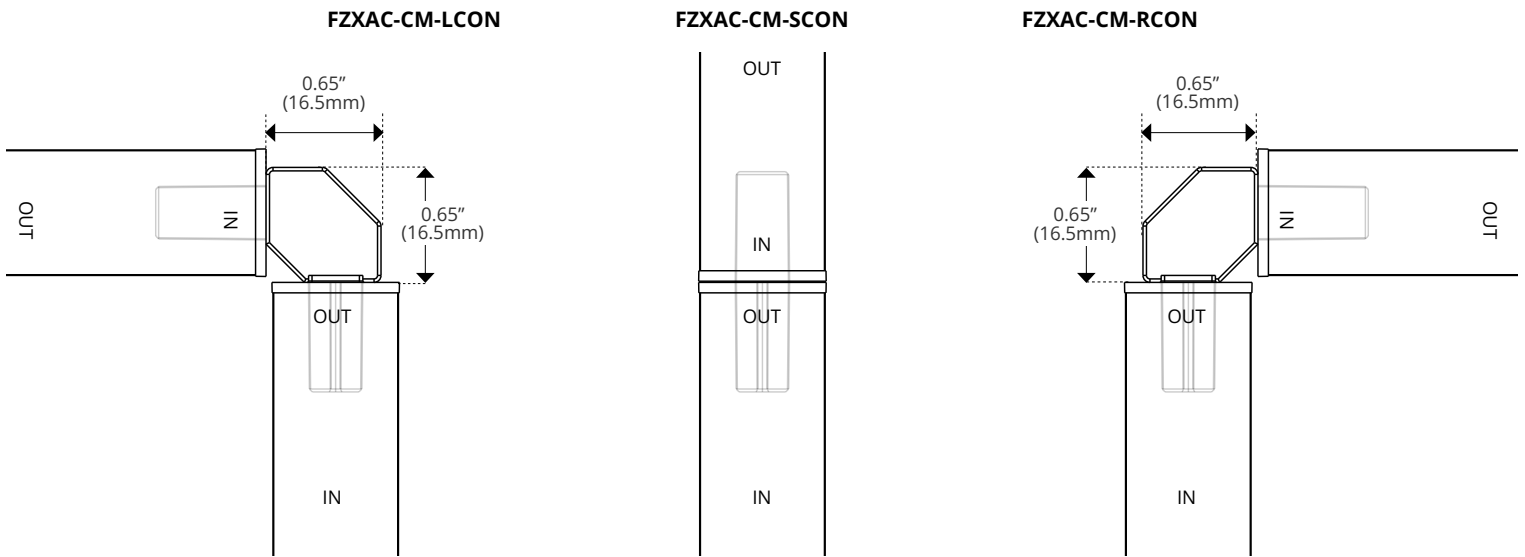
# Optional Connector Accessories

## AC Fizzix

### PART CODE BUILDER



### DIAGRAM



### IMAGE



Kelvix reserves the right to update the product specifications at any time. To maintain warranty, field modifications must follow approved Kelvix installation instruction.  
 5% tolerance for all listed data

Fixture Type \_\_\_\_\_

Project Name \_\_\_\_\_

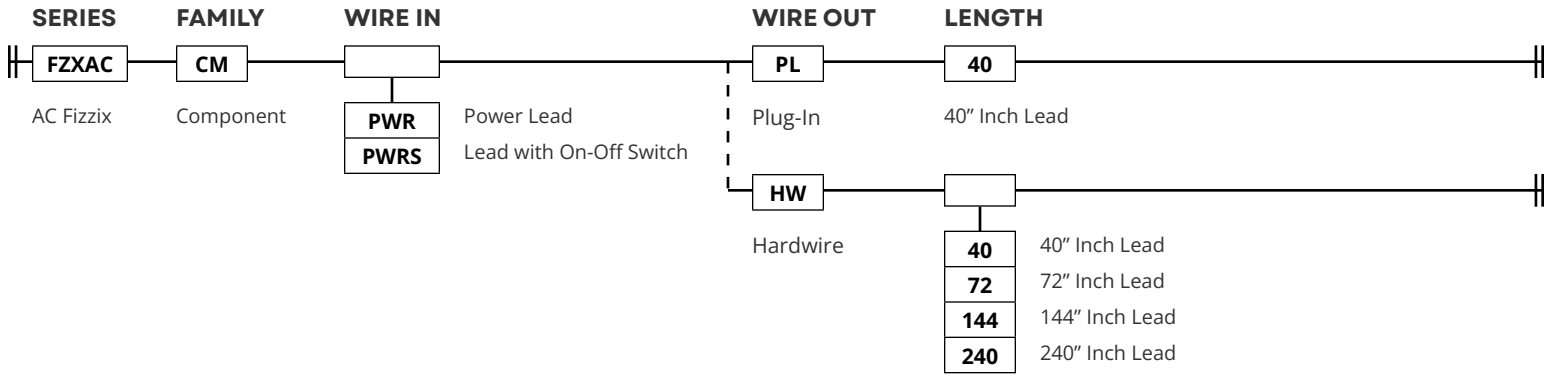
Location \_\_\_\_\_



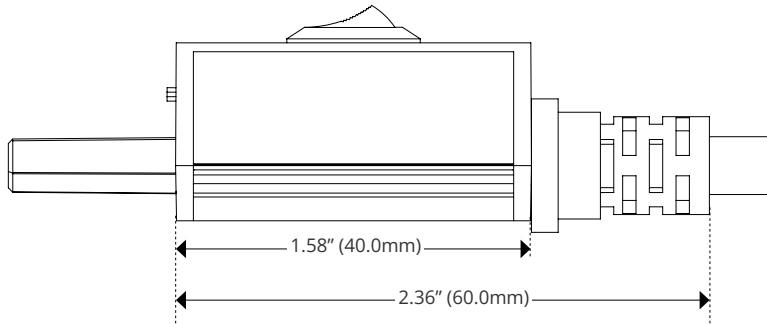
# Optional Wiring Accessories

## AC Fizzix

### PART CODE BUILDER

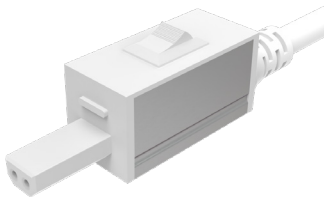


### DIAGRAM



### IMAGE

**PWRS**



Lead with On-Off Switch Connector

**PWR-PL**



40 Inch Plug-In Power Lead

**PWR-HW**



40 Inch Hardwire Power Lead

Kelvix reserves the right to update the product specifications at any time. To maintain warranty, field modifications must follow approved Kelvix installation instruction.  
5% tolerance for all listed data

Fixture Type \_\_\_\_\_

40 Inch Hardwire Power Lead \_\_\_\_\_

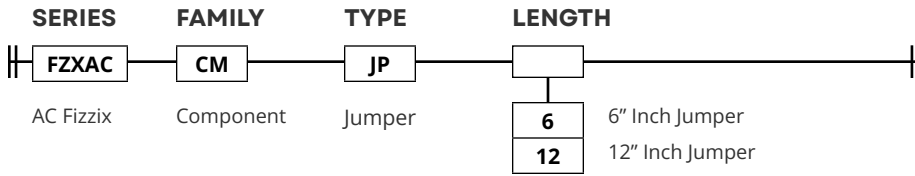
Location \_\_\_\_\_



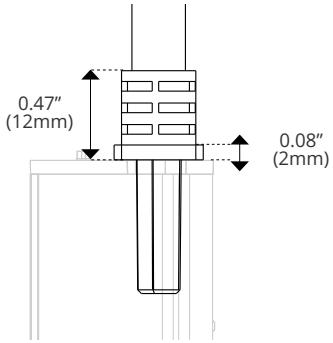
# Optional Wiring Accessories

## AC Fizzix

### PART CODE BUILDER



### DIAGRAM



### IMAGE

6

12



12 Inch Jumper



6 Inch Jumper

Kelvix reserves the right to update the product specifications at any time. To maintain warranty, field modifications must follow approved Kelvix installation instruction.  
 5% tolerance for all listed data

Fixture Type \_\_\_\_\_

Project Name \_\_\_\_\_

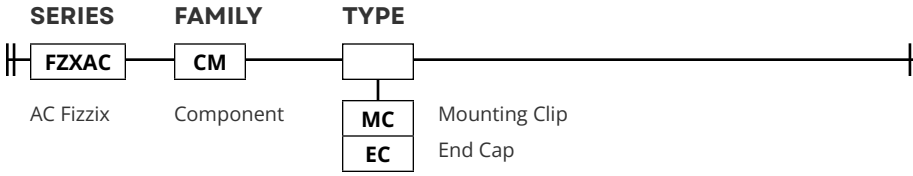
Location \_\_\_\_\_



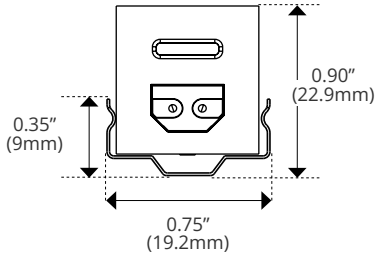
# Optional Clips and End Caps

## AC Fizzix

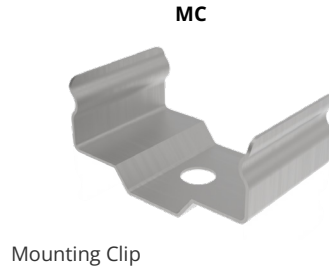
### PART CODE BUILDER



### DIAGRAM

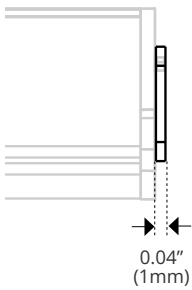


### IMAGE

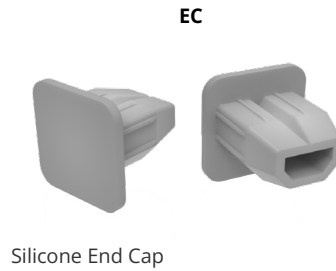


|                     |               |
|---------------------|---------------|
| Height Adder        | 0.10" (2.5mm) |
| # of Clips Per Pack | 2             |

### DIAGRAM



### IMAGE



Kelvix reserves the right to update the product specifications at any time. To maintain warranty, field modifications must follow approved Kelvix installation instruction.  
5% tolerance for all listed data

40 Inch Hardware Project Name \_\_\_\_\_

Fixture Type \_\_\_\_\_

Location \_\_\_\_\_