



Complete Specification Sheet

25HE-24V

25HE-24V

25 Watt, 24 Volt
Universal Dimming Class 2 Power Supply



Specifications

Category	Power Supplies
Series	HE-24V
Family	25 Watt
Input Voltage	120V AC
Output Voltage	24 DC Constant Voltage
Max Wattage	25W
Operating Temp.	-20°F (-40°C) to 158°F (70°C)
Dimming Options	ELV, MLV, INC

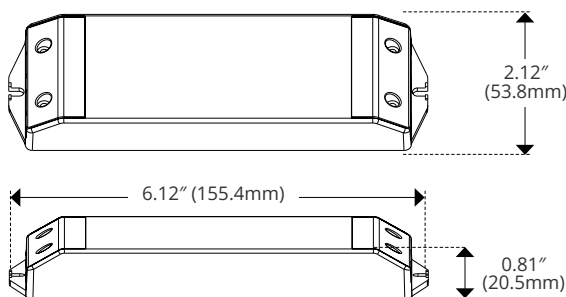
Features

- Hardwire Power Supply With Forward & Reverse Phase Dimming
- Primary Side Dimmable – ELV/MLV/INC
- Rated for Indoor Use
- ETL Listed
- Class 2

Description

The 25HE-24V is an indoor compact power supply. Its universal dimming allows use with Incandescent, MLV, and ELV dimmers. Instead of standard knock-out connections, this unit connects directly to power via the integral screw terminals.

Dimensions



Order Code



Kelvix reserves the right to update the product specifications at any time. Field modifications will void Kelvix warranty
 Conforms to UL8750. Certified to CAN/CSA Standard C22.2 NO. 250.13

Fixture Type _____

Project Name _____

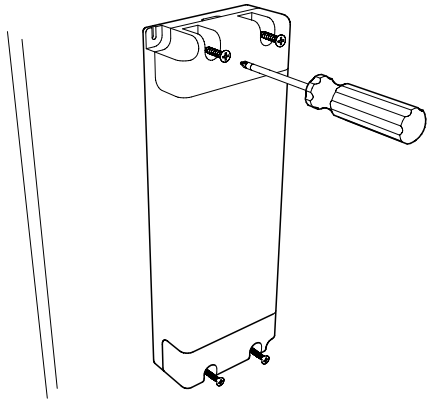
Location _____



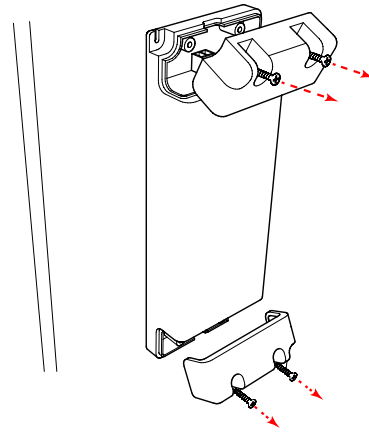
Installation Instructions

XXHE-24V

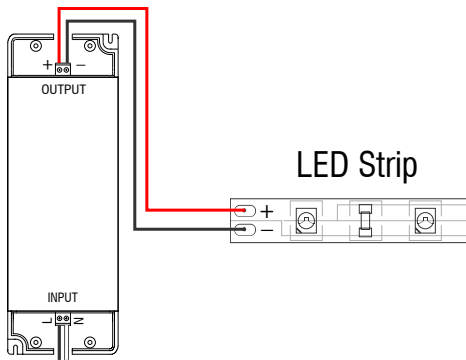
1 Secure power supply to mounting surface.



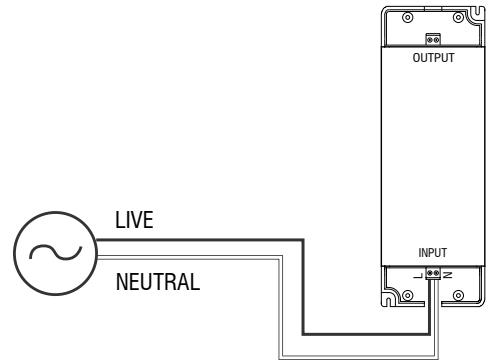
2 Remove wiring covers.



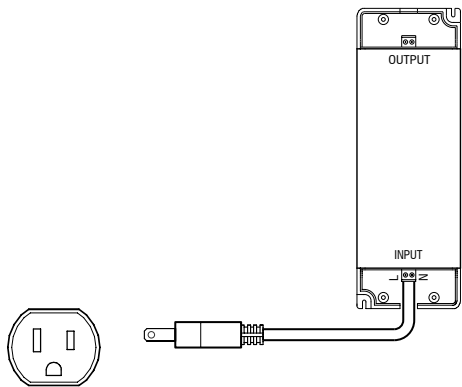
3 Observe polarity and connect power supply output and LED strip.



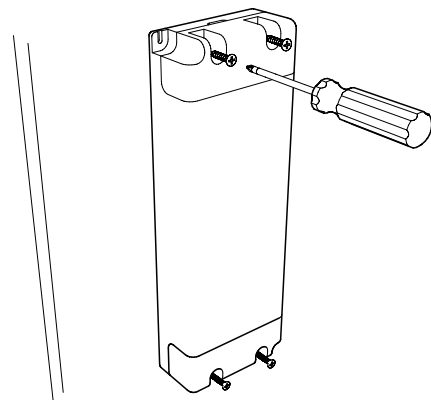
4 Connect primary side wires to AC line voltage power source.



5 Optional: connect plug-in power feed to power supply in lieu of hardwire connection.



6 Replace wiring covers.



Kelvix reserves the right to update the product specifications at any time. Field modifications will void Kelvix warranty
Conforms to UL8750. Certified to CAN/CSA Standard C22.2 NO. 250.13

Fixture Type _____

Project Name _____

Location _____