



Complete Specification Sheet

0-10V 4 Channel Dimmer

0-10V 4 Channel Dimmer

4 Channel
0-10V Dimmer



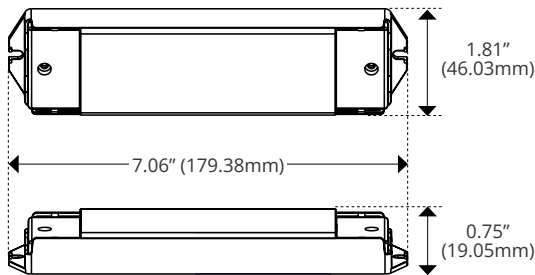
Specifications

Category	Controls and Dimmers
Series	0-10V
Family	4CH
Environment	IP20
Input Voltage	12 - 24V DC
Output Voltage	4 x 8A
Dimming Range	0% - 100%
Dimming Protocol	0 - 10V
Length	7.06in (179.38mm)
Width	1.81in (46.03mm)
Height	0.75in (19.05mm)
Operating Temp.	-4°F (-20°C) to 122°F (50°C)

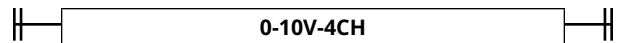
Features

- 4-channel 0-10V Dimming Module
- 0-100% Logarithmic Dimming Range
- 256 Dim Increments for Smooth Transitions
- Analog Dim Driver With 0-10V Signal Input
- PWM Output

Dimensions



Order Code



Kelvix reserves the right to update the product specifications at any time. Field modifications will void Kelvix warranty

Fixture Type _____

Project Name _____

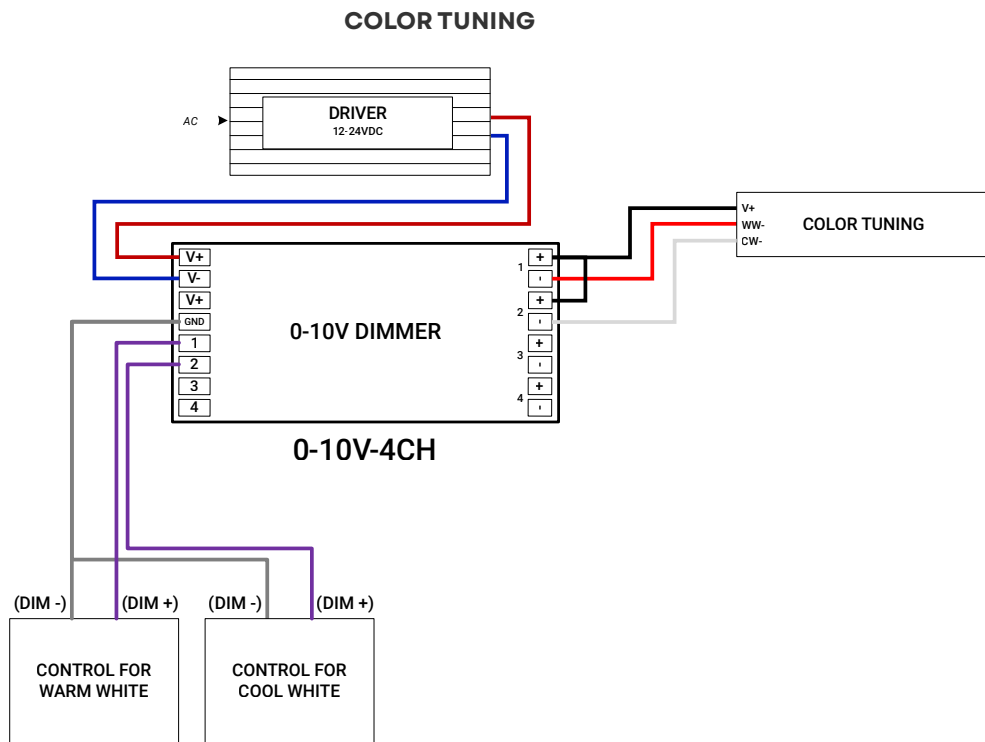
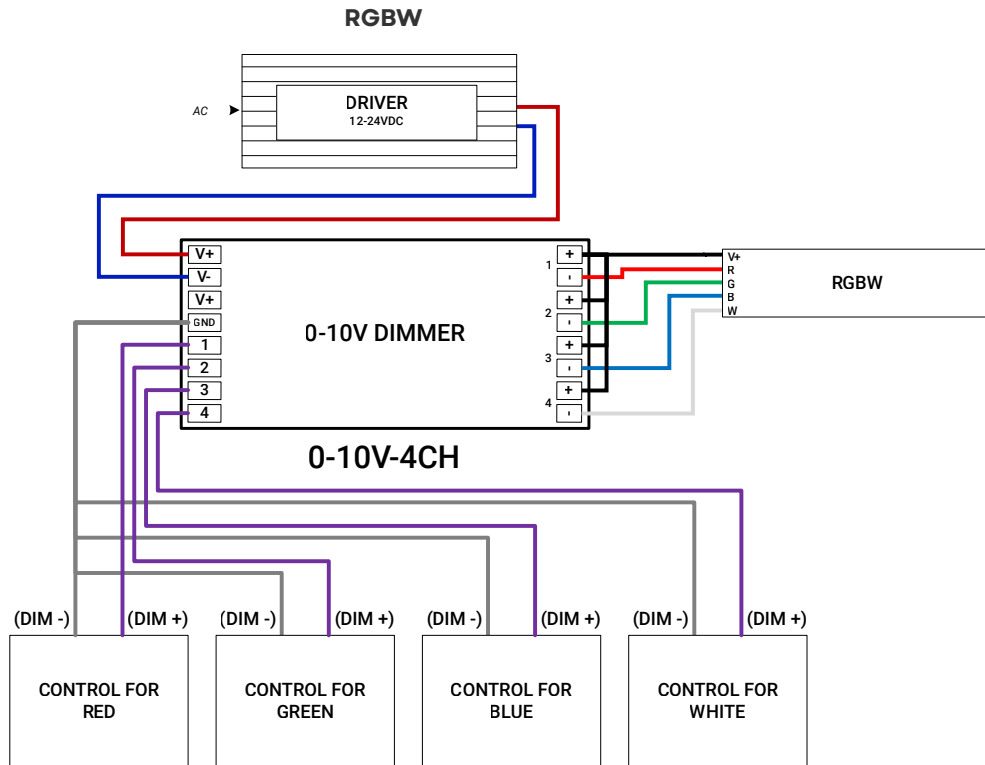
Location _____



Wiring Details

0-10V 4 Channel Dimmer

Wiring Diagrams



Kelvix reserves the right to update the product specifications at any time. Field modifications will void Kelvix warranty

Fixture Type _____

Project Name _____

Location _____