

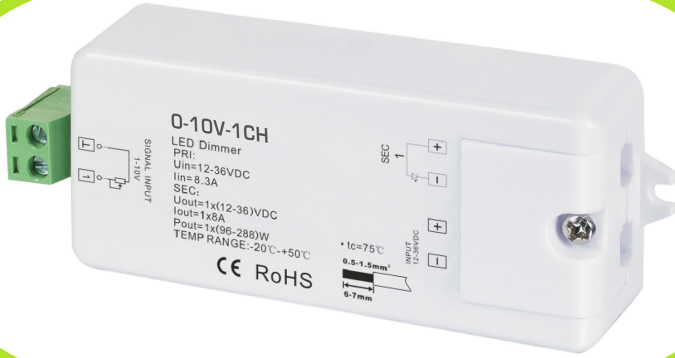


Complete Specification Sheet

0-10V 1 Channel Dimmer

0-10V 1 Channel Dimmer

1 Channel
Single Color
0-10V Dimmer



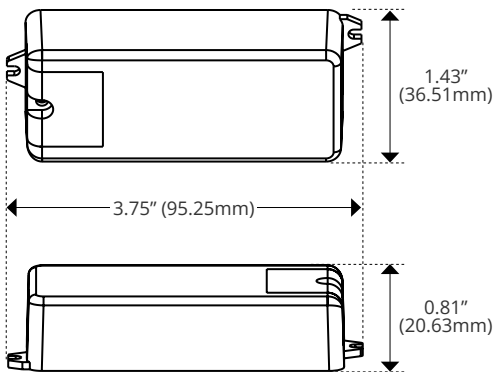
Specifications

Category	Controls and Dimmers
Series	0-10V
Family	1CH
Environment	IP20
Input Voltage	12 - 24V DC
Output Voltage	1 x 8A
Dimming Range	0% - 100%
Dimming Protocol	0 - 10V
Length	3.75in (95.25mm)
Width	1.43in (36.51mm)
Height	0.81in (20.63mm)
Operating Temp.	-4°F (-20°C) to 122°F (50°C)

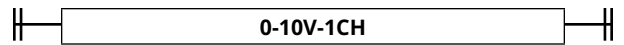
Features

- 1-Channel 0-10V Dimming Module
- 0-100% Logarithmic Dimming Range
- 256 Dim Increments for Smooth Transitions
- Analog Dim Driver With 0-10V Signal Input
- PWM Output

Dimensions



Order Code



Kelvix reserves the right to update the product specifications at any time. Field modifications will void Kelvix warranty

Fixture Type _____

Project Name _____

Location _____



Wiring Details

0-10V 1 Channel Dimmer

Wiring Diagrams

