



Installation Safety Precautions

Eclix Series Fixtures

Safety Precautions



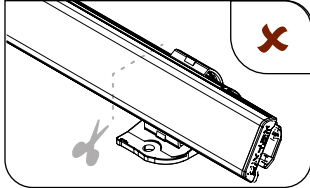
VOLTAGE

Hazardous voltage present. Please verify voltage prior to connecting and install per state and local codes.



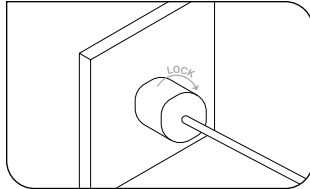
PRODUCT MODIFICATIONS

Product is NOT to be modified in the field. Modifications will void ETL listing and warranty.



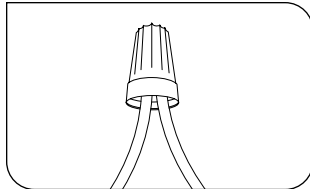
SECURE CONNECTIONS

Ensure all electrical connections are insulated and secure before applying power.



PROPER CONNECTIONS

Connect power feed to appropriate power source or controls.



KELVIX ACCESSORIES

The use of third-party accessories must be pre-approved by Kelvix. Failure to do so will void manufacturer warranty.



a) READ AND FOLLOW ALL SAFETY INSTRUCTIONS

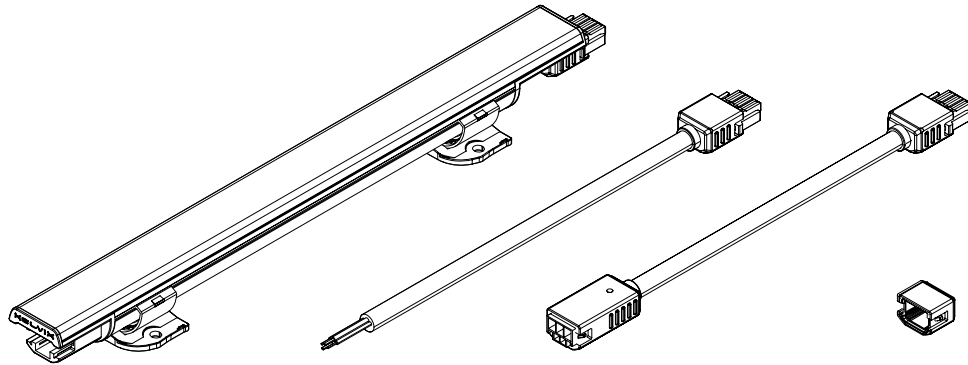
- b) Any bends tighter than 30 degrees will require a jumper ECX-FMC-X to reduce tension on the fixture leads.
- c) Hazardous voltage present. Please verify voltage prior to connecting and install per state and local codes.
- d) Verify circuits are de-energized before beginning work.
- e) Fixtures and components should not be accessible to the public.
- f) Hardwire connections must be installed in accordance with national and local electrical codes.
- g) Modifying the fixture or cables will void the factory warranty.
- h) This fixture cannot be installed vertically.



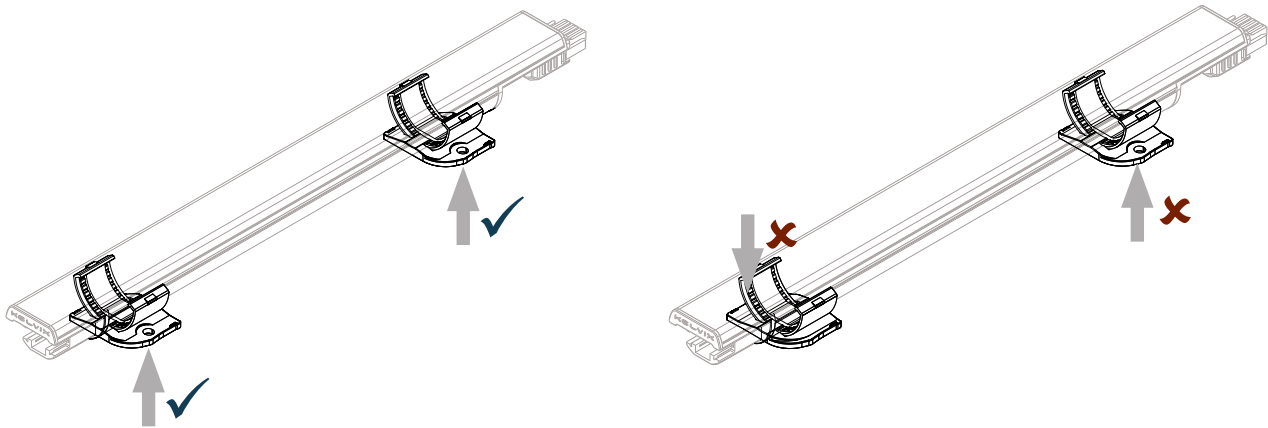
Non-Track Mounting Installation Guide

Eclipx Series Fixtures

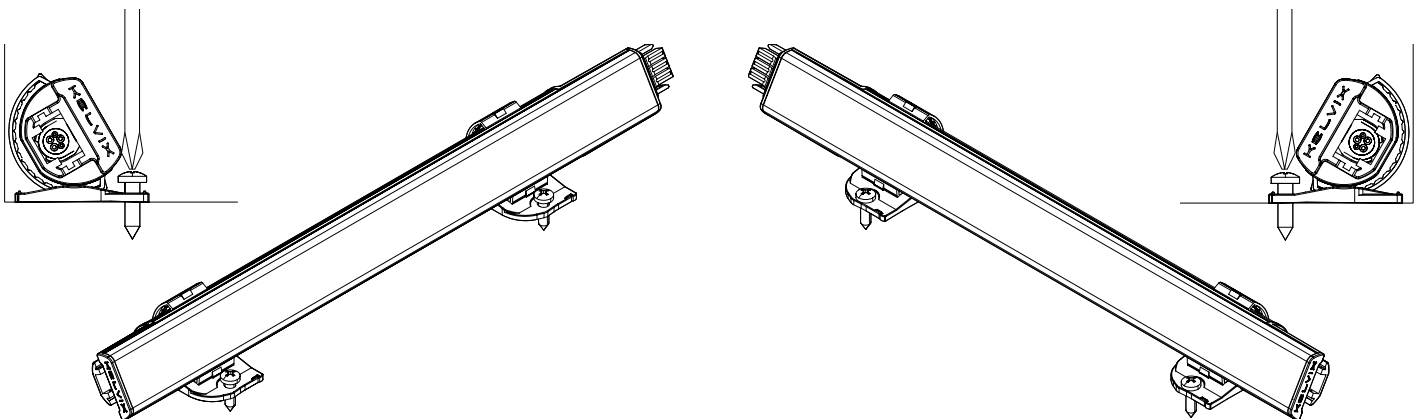
1 Open packaging and remove fixture from plastic wrap. Ensure units were not damaged during transit, operate correctly and are the correct quantity.



2 Each fixture ships with clips installed. 1FT fixtures require two clips, and 4ft fixtures require 4 clips. Ensure the clip orientation is consistent across runs. The screw holes must be oriented in the same direction for proper mounting and function.



3 If access is limited, ensure clips are oriented in a way that best allows access to the mounting hole.



Kelvix reserves the right to update the product specifications at any time. To maintain warranty, field modifications must follow approved Kelvix installation instruction.

Fixture Type _____

Project Name _____

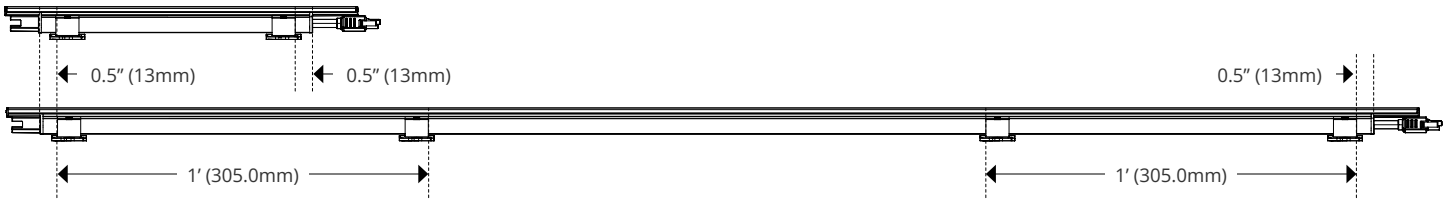
Location _____



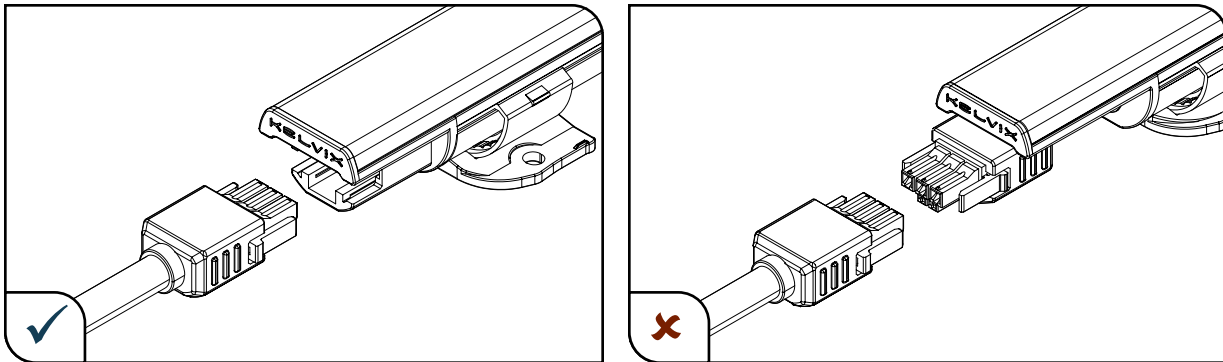
Non-Track Mounting Installation Guide

Eclix Series Fixtures

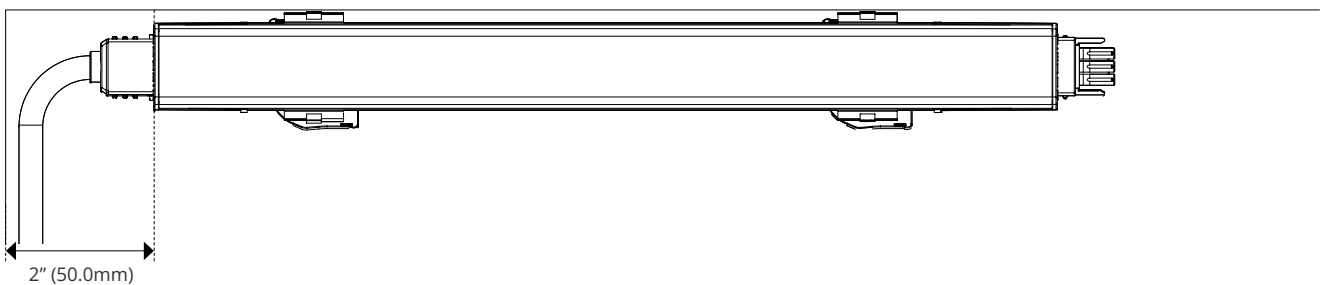
- 4** Ensure clips are spaced out appropriately on the fixture. Outside clips should be inset approximately 0.5in (13mm) from fixture ends. On 4ft fixtures, the remaining 2 clips should sit approximately 1ft (305.0mm) inside of the outer clips.



- 5** Ensure that the fixture is oriented with the power input side in the desired location.



- 6** Place fixture with clips attached in the desired mounting location. If installing the first fixture of the run, ensure that the fixture is free to rotate fully and there is 2in (50.0mm) of space between the fixture end and wall to allow for the power cable to be attached.

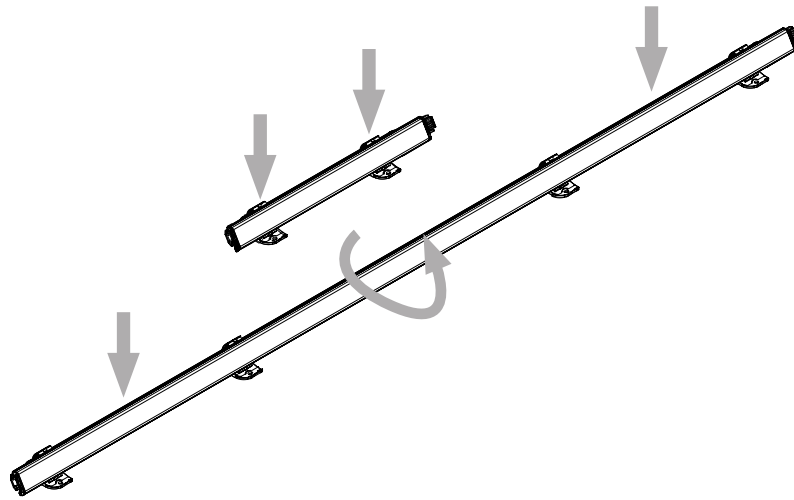




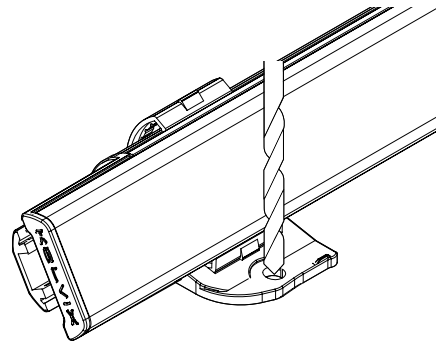
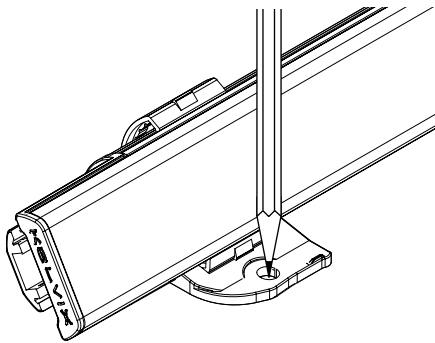
Non-Track Mounting Installation Guide

Eclix Series Fixtures

7 Rotate the fixture to the side that gives most clearance to the mounting holes. To rotate the fixture, apply a downwards force to the fixture above the clips (or for the 4 ft fixture, to the center of each clip pair) and rotate into the desired position.

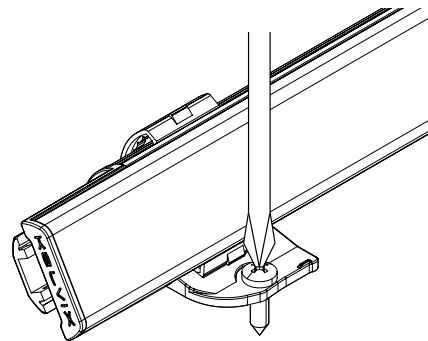
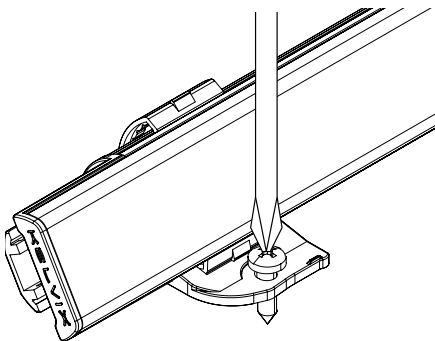


8 Either drill pilot holes directly into the holes of the mounting clips, or mark the locations of the holes and drill the pilot holes once the fixtures are clear.



9a Using #8 or M4 diameter flat head / pan head screws appropriate for your substrate, screw the mounting clips in place, taking care not to fully tighten the screws down.

9b Check the fixture position. Make any required adjustments to the mounting clips and then using a screwdriver, fully tighten the screws down to fasten the clips securely.

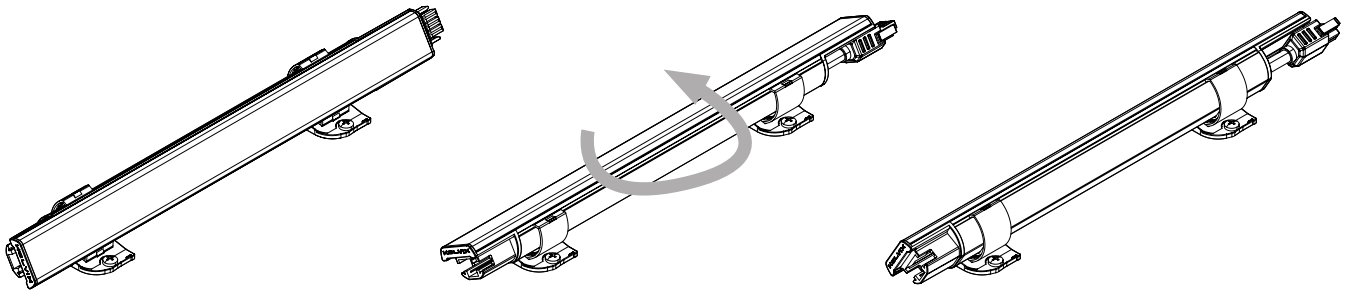




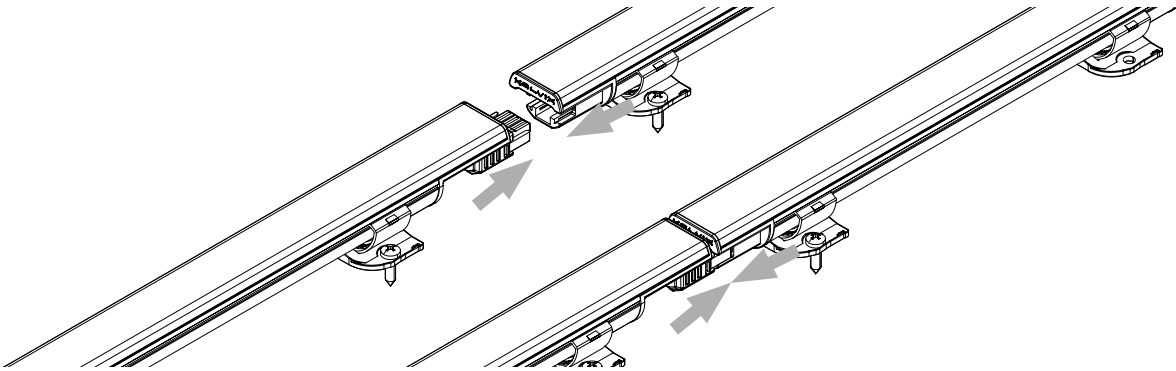
Non-Track Mounting Installation Guide

Eclix Series Fixtures

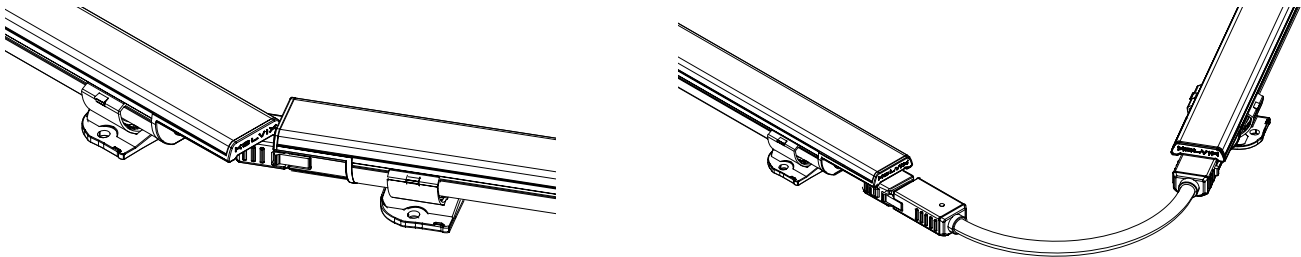
10 Once secured, rotate the fixture into the desired position.



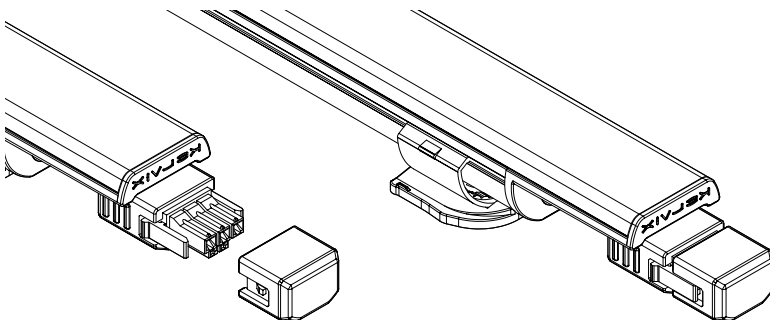
11 Repeat the process for additional fixtures in the run, ensuring the clips and fixtures are oriented correctly to interface with the preceding fixtures. To release a fixture, compress tabs and pull connectors apart.



13 For constructing runs that follow a curve, it is possible to achieve angles up to 30° between fixtures if they are flat or tilted away from the bend direction. For tighter bends or to bend in the direction the fixtures are tilted, jumpers can be used.



14 Ensure the terminating end cap is installed on the final fixture in the run.



Kelvix reserves the right to update the product specifications at any time. To maintain warranty, field modifications must follow approved Kelvix installation instruction.

Fixture Type _____

Project Name _____

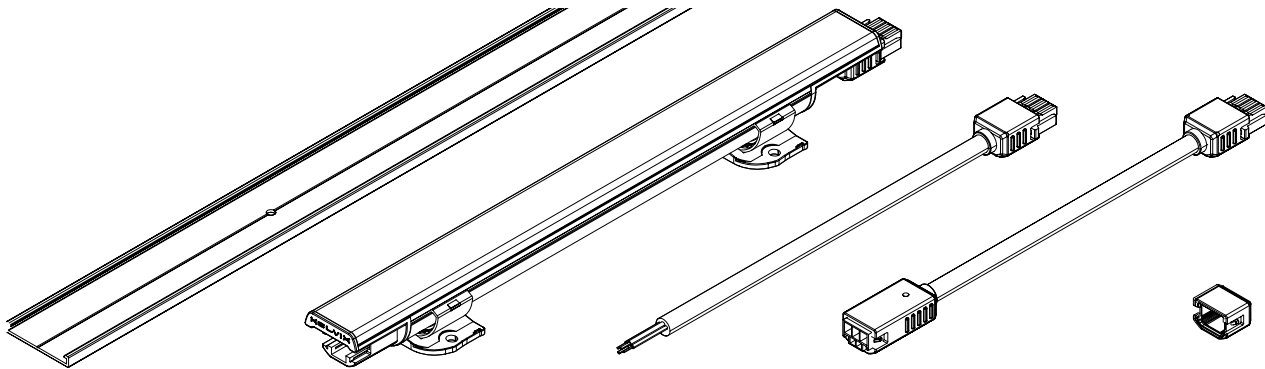
Location _____



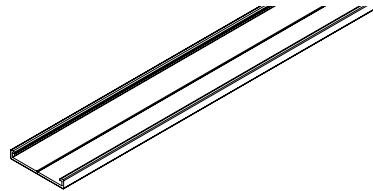
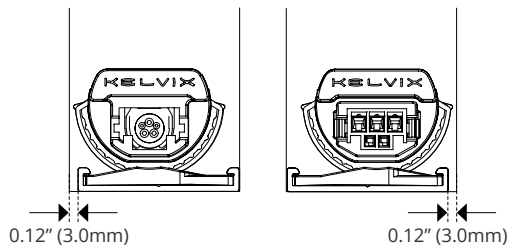
Track Mounting Installation Guide

Eclipx Series Fixtures

1 Open packaging and remove fixture from plastic wrap. Ensure units were not damaged during transit, operate correctly and are the correct quantity.

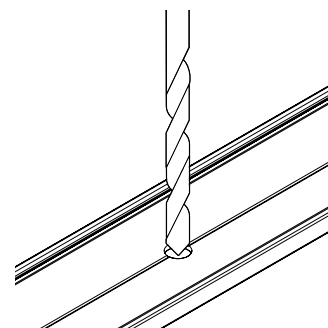
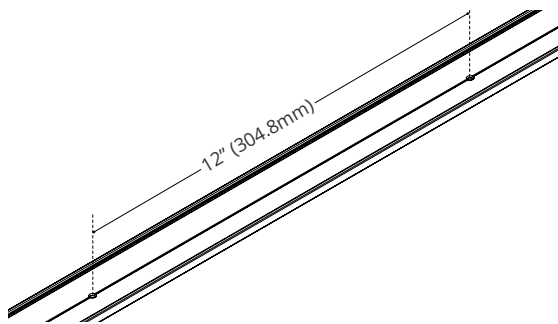


2 Position mounting track on mounting surface. Ensure there is 0.5in (13mm) space between at least one side of the track and the nearest wall to ensure there is room for the fixture to rotate

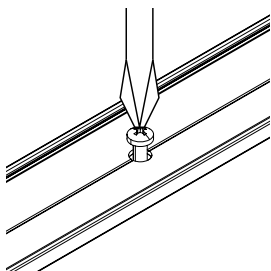


3a Drill pilot holes through the track into the substrate. 1 hole per foot of track is recommended.

3b Widen holes in the track to provide clearance for fastening screws.



4 Fasten track using screw appropriate for substrate.

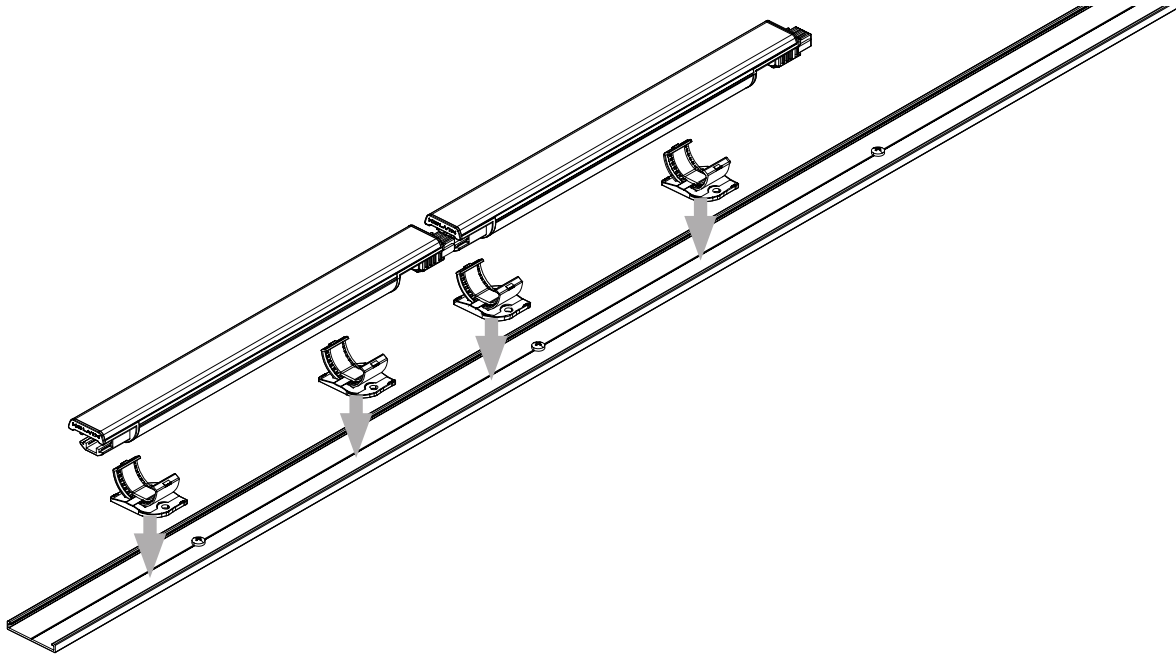




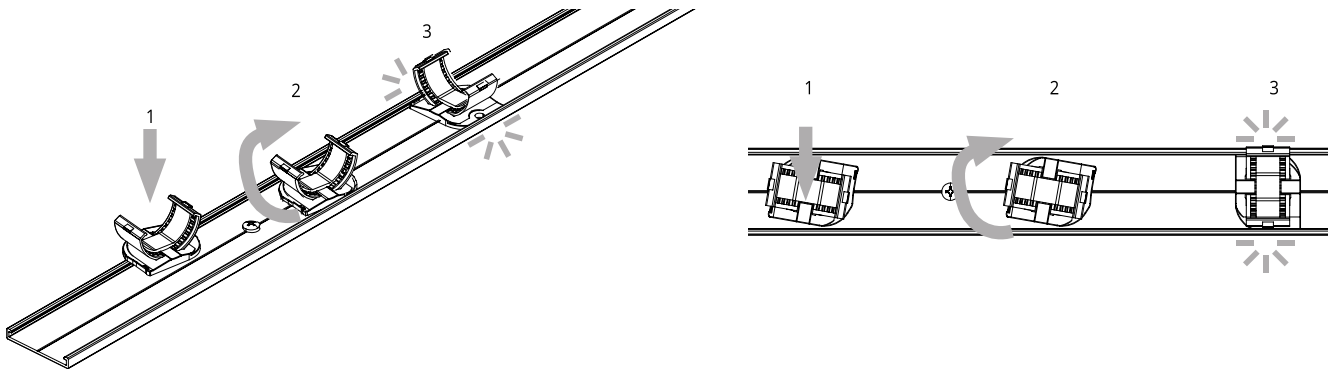
Track Mounting Installation Guide

Eclix Series Fixtures

5 Remove clips from the fixture and place onto the track in the appropriate position.



6 Clips will need to be inserted at an angle and rotated counterclockwise to clip them into the track. An audible click will be heard when the clips snap into position. To alter the position of the clips, rotate them clockwise and slide them to the desired position before twisting them back.



Kelvix reserves the right to update the product specifications at any time. To maintain warranty, field modifications must follow approved Kelvix installation instruction.

Fixture Type _____

Project Name _____

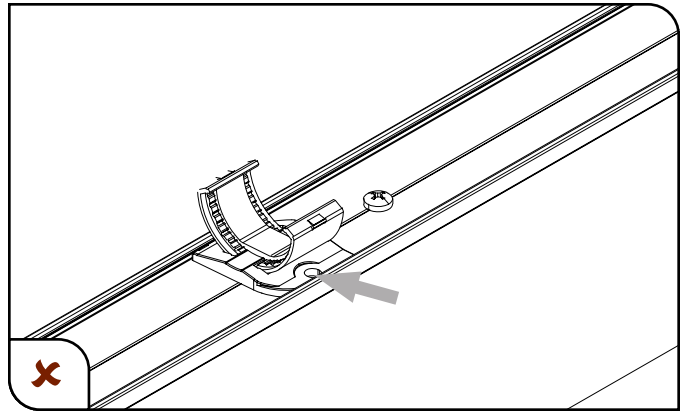
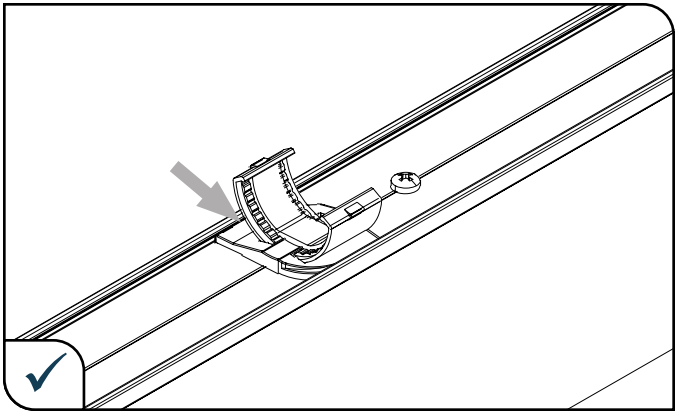
Location _____



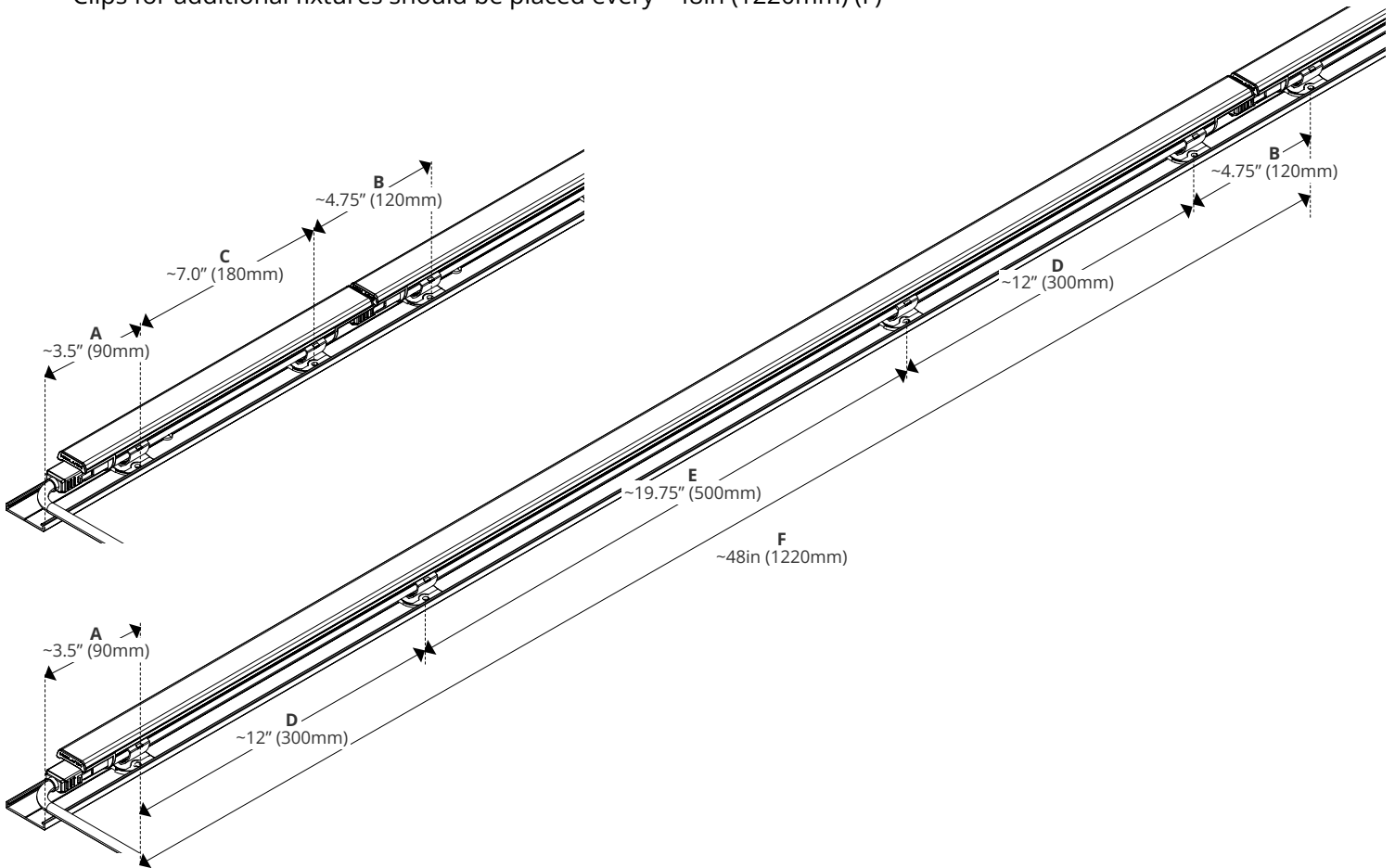
Track Mounting Installation Guide

Eclix Series Fixtures

7 Ensure that clips are all in the same orientation in the track. If the track is against a wall, ensure the mounting hole of the clip is on the side of the closest wall.



8 The first clip should be placed no closer than ~3.5in (90mm) from the end of the track. (A)
The gap between connected fixture clip-pairs should be approximately ~4.75in (120mm). (B)
For 1ft Fixtures, clips will need to be placed in pairs that are approximately 7.0in (180mm) apart. (C)
For 4ft Fixtures, each fixture will need two pairs of clips. For the outside pairs, a spacing of ~12.0in (300mm) (D) is recommended. For the inside pair, a distance of ~19.75in (500mm) (E) is recommended.
Clips for additional fixtures should be placed every ~48in (1220mm) (F)



Kelvix reserves the right to update the product specifications at any time. To maintain warranty, field modifications must follow approved Kelvix installation instruction.

Fixture Type _____

Project Name _____

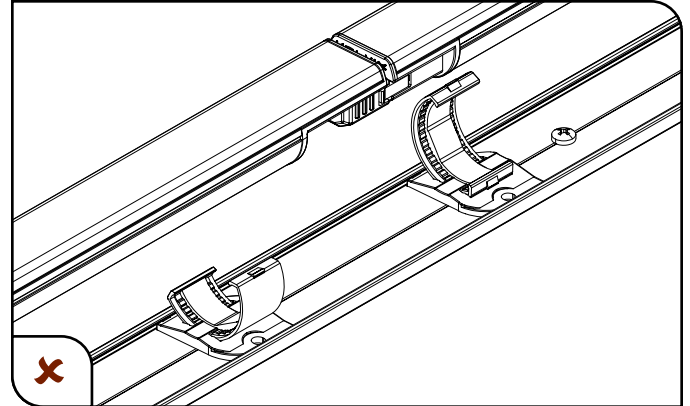
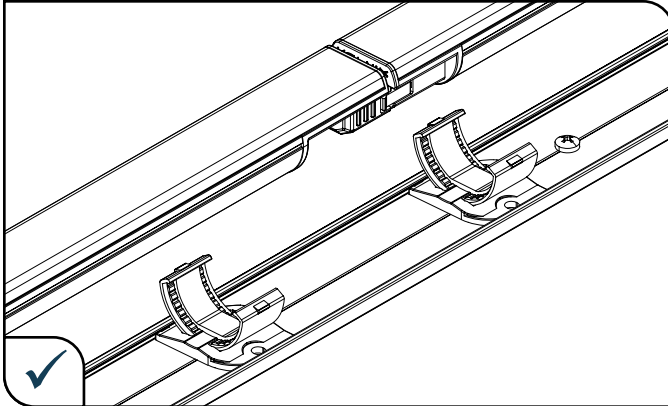
Location _____



Track Mounting Installation Guide

Eclix Series Fixtures

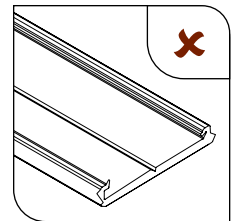
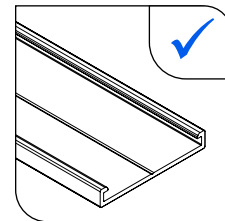
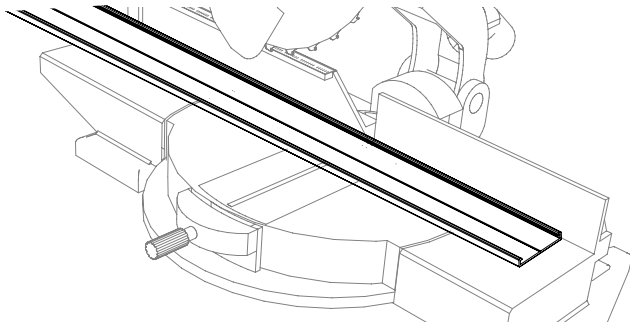
9 Ensure clips are all rotated to a flat position before pressing the fixture into position.



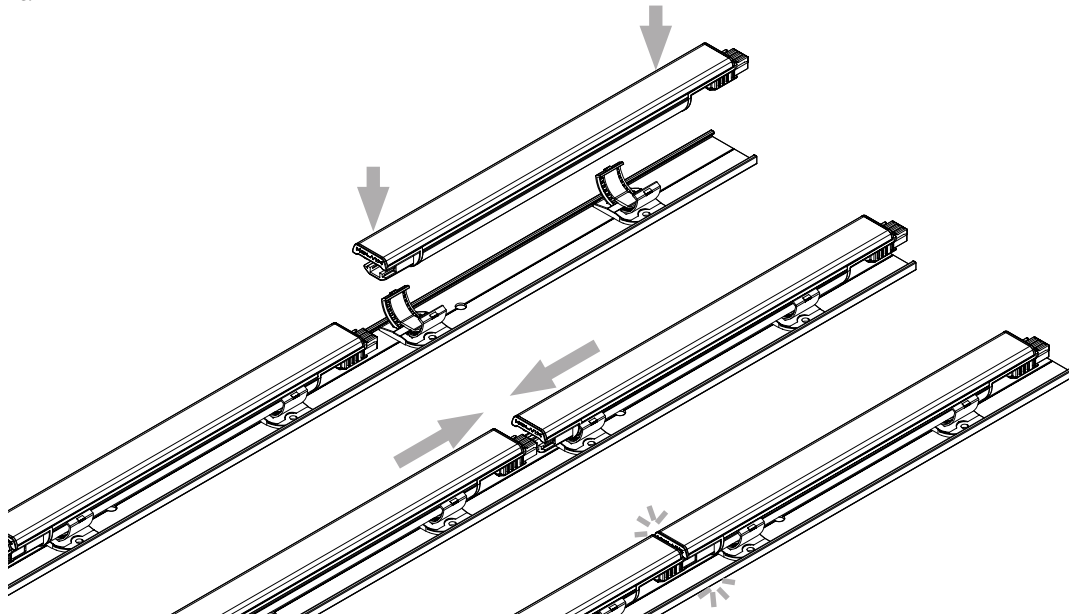
10 Add more tracks and fixtures as needed. If a track needs to be cut, use a chop saw with a carbide tipped blade designed for plastic or metal, with at least 100 teeth to slowly cut the track to the desired length.

PROFILE CUTTING

Make sure the cross section of the channel is smooth without any burrs.



11 When adding more fixtures, snap the new fixture into the mounting clips further forwards, and then slide back into position to connect into the existing run. To release a fixture, squeeze the connector tabs whilst pulling the fixtures apart.



Kelvix reserves the right to update the product specifications at any time. To maintain warranty, field modifications must follow approved Kelvix installation instruction.

Fixture Type _____

Project Name _____

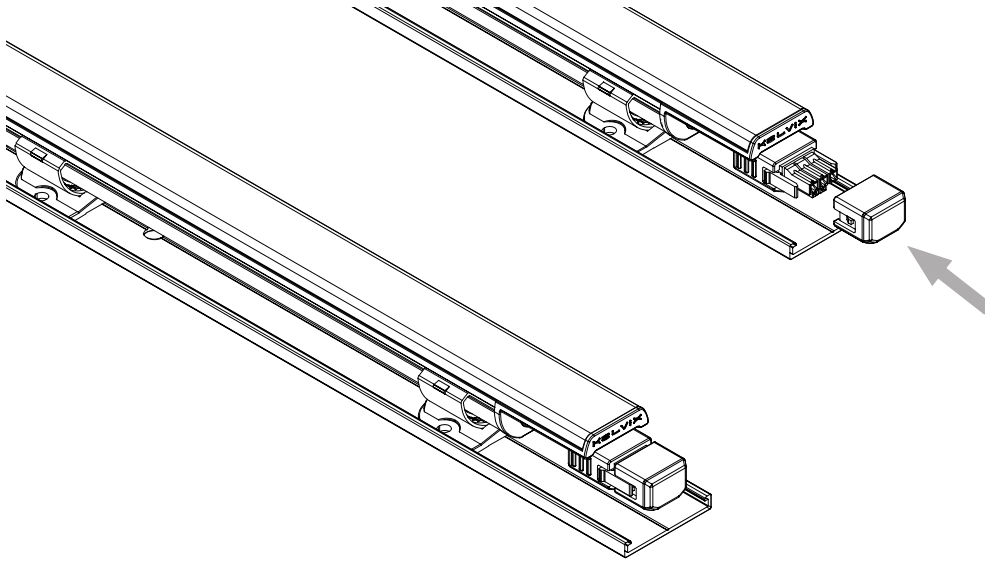
Location _____



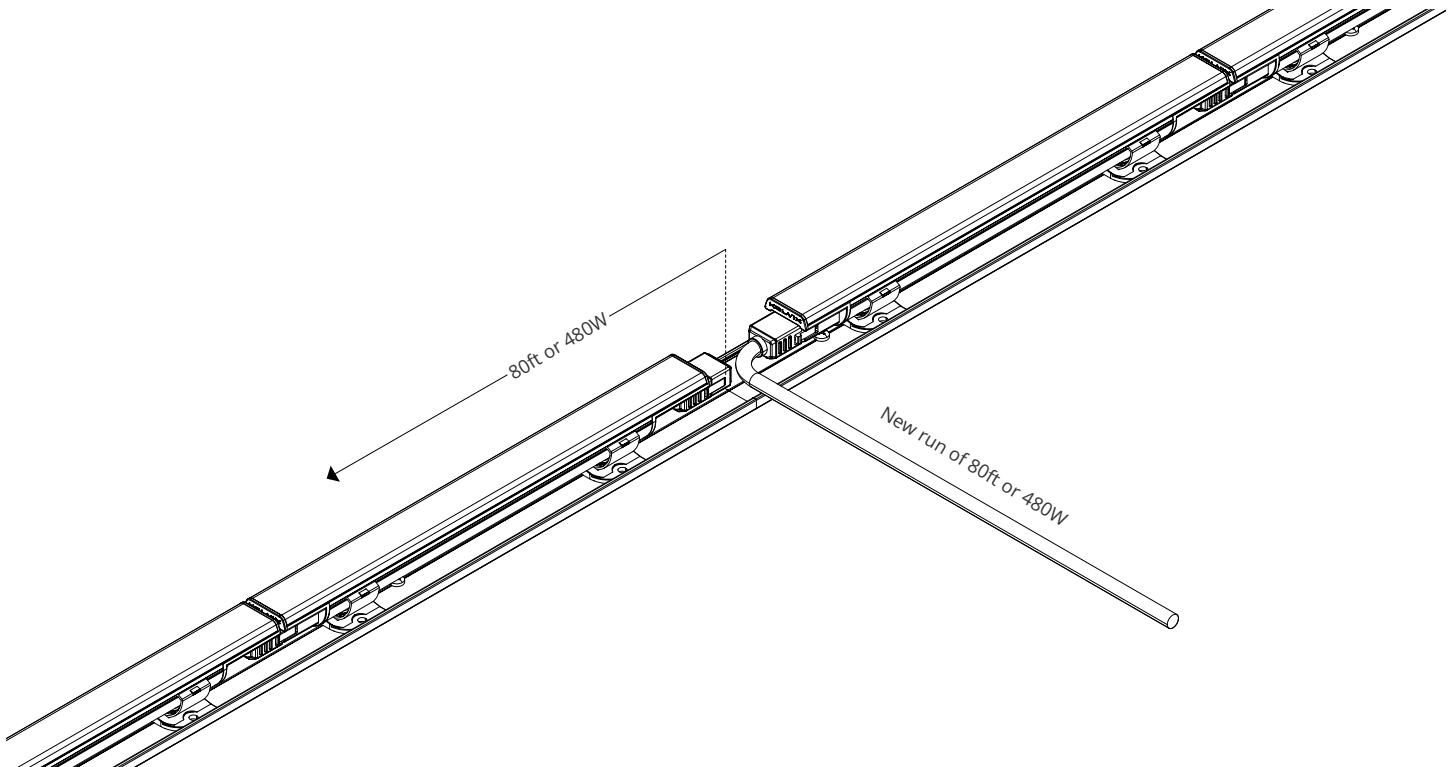
Track Mounting Installation Guide

Eclipx Series Fixtures

12 Ensure the terminating end cap is installed on the final fixture in the run.



13 Once all fixtures are secured and connected together, energize. Ensure each run of fixtures does not exceed 80ft, or a 480W power draw.



Kelvix reserves the right to update the product specifications at any time. To maintain warranty, field modifications must follow approved Kelvix installation instruction.

Fixture Type _____

Project Name _____

Location _____