

FIXTURE TYPE \_\_\_\_\_

PROJECT NAME \_\_\_\_\_

LOCATION \_\_\_\_\_



# DMXD-4C-5A-WP

4 Channel | 5 AMP/CH | DMX Decoder | Outdoor Rated



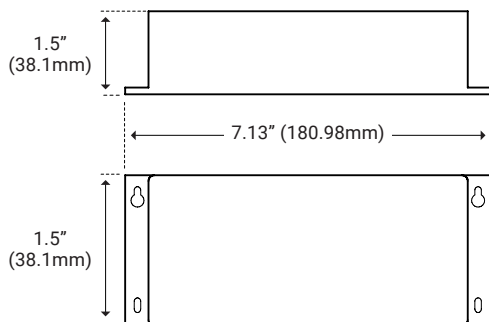
## I Features

- RGBW 4-Channel DMX Decoder
- Standard DMX512 Compliant Interface
- Digital Numeric Display for DMX Address Assignment
- Adjustable Pulse Width Modulation Frequency
- Switchable Logarithmic or Linear Dimming
- Rated for Indoor and Outdoor Use

## I Series Spec

Series	DMXD
Input Voltage	12–24V DC
Output	4 x 5A
Constant Voltage	Yes
Length	7.13" (180.98mm)
Width	2.88" (73.03mm)
Height	1.5" (38.1mm)
IP Rating	IP67
Dimming Range	0.4% – 100%
Operating Temperature	-13°F (-25°C) to 113°F (45°C)
Storage Temperature	-13°F (-25°C) to 113°F (45°C)

## I Dimensions



## I Wiring Example

