

FIXTURE TYPE \_\_\_\_\_

PROJECT NAME \_\_\_\_\_

LOCATION \_\_\_\_\_



# Pharos LPC

DMX512/eDMX Controller



Partnered with:



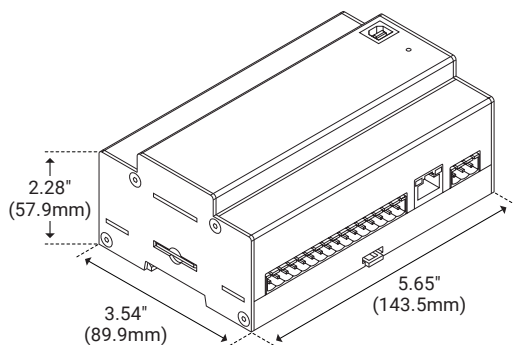
## I Description

Pharos' LPC is a reliable, solid state DMX512 and eDMX controller with a large focus on systems integration and triggering.

## I Features

- Remote Management with Pharos Cloud
- Scalable
- Flexible Outputs
- Custom User Interfaces

## I Dimensions

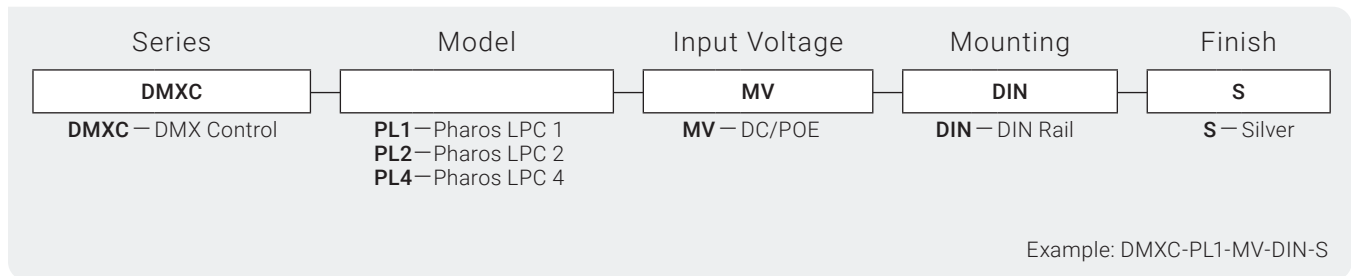


## I Series Spec

Series	DMXC
Input Voltage	9V DC–48V DC, PoE (4W typical)
Control Outputs	DMX512, eDMX
Triggering & Integration	Contact Closure, Digital, Analog
Inputs	Ethernet, DMX512, Serial
Max Devices	40 Pharos Designer Controllers
Data Storage	Removable SD Card (supplied)
Length	5.65" (143.5mm)
Width	3.54" (89.9mm)
Height	2.28" (57.9mm)
Physical Build	8 Unit Wide DIN Rail Mount
IP Rating	IP40
Operating Temperature	32°F (0°C) to 122°F (50°C)
Storage Temperature	28°F (- 2°C) to 131°F (55°C)
Humidity	10-50% relative, non-condensing



## I Product Code Builder



## I Series Data

Model	Code	DMX512 Output	eDMX Output	Total Available
Pharos LPC 1	PL1	512 Channels	512 Channels	512 Channels
Pharos LPC 2	PL2	1024 Channels	1024 Channels	1024 Channels
Pharos LPC 4	PL4	1024 Channels	2048 Channels	2048 Channels

## I Control Outputs

DMX512	2 ports (max 512 channels each) USITT E1.11-2008
RDM	Supports discovery and addressing via Designer software
sACN	USITT E1.31 (with per fixture priority) standard
Art-Net	ArtNet, ArtNet II and ArtNet III (configurable broadcast override)
KiNET	KiNET V1 (DMX out) and V2 (Port out); PDS/Data Enabler discovery
Pathport	Pathway Connectivity protocol
DALI	via RIO D



## I Control Triggering & Integration

Startup	Commences programmed playback automatically on receiving power
Contact Closures	Connect an external volt-free switch between input and ground (internal 2.2k pull-up to 5V)
Digital In	Connect an external voltage source between input and ground (24V maximum; internal 2M0hm pull-down to 0V); software configurable low/high threshold
Analog In	Connect an external voltage source between input and ground (24V maximum); software-configurable range
Clock	Battery-backed real-time clock for calendar and time-based triggers
Astronomical	Sunrise/Sunset/Twilight and Lunar phases
Ethernet	UDP, TCP, Multicast; send/receive any Ethernet message
Serial Data	RS232, RS485; configurable port; send/receive free syntax in ASCII, HEX or decimal
MIDI	MIDI Notes, SysEx or Timecode
Timecode	Linear Timecode via Pharos RIO A (SMPTE, Film, EBU, NTSC)
Audio Level	Stereo 30-band spectrum analysis via Pharos RIO A
DMX512	Trigger on changes within a range or entering a range
eDMX	sACN or Art-Net (option to pass-thru on local DMX output)
DALI	Trigger on any message, via Pharos RIO D
Web Interface	Built-in or custom designed
Wall Stations	Integrate with Pharos BPS, TPS or TPC
Conditions	Full conditional logic support
Scripting	Lua scripting for total flexibility
IO Modules	Supports extensive Pharos IO Module library for easy integration

## I Interface

Ethernet	RJ45 socket for 10/100Base-TX Ethernet with Link/Data LEDs; Static IP or DHCP; Dual IP address for eDMX
DMX512	Two isolated DMX ports, RDM compatible
Serial	RS232 / RS485 / DMX in
Inputs	Eight inputs, individually selectable operating mode for contact closure, digital or analog input
MIDI In & Out	MIDI via 5-pin DIN 41524 socket
USB-B Socket	USB 1.1 for connection to PC