

FIXTURE TYPE \_\_\_\_\_

PROJECT NAME \_\_\_\_\_

LOCATION \_\_\_\_\_



# CH-241-M

EXTRUDED ALUMINUM MOUNTING CHANNEL



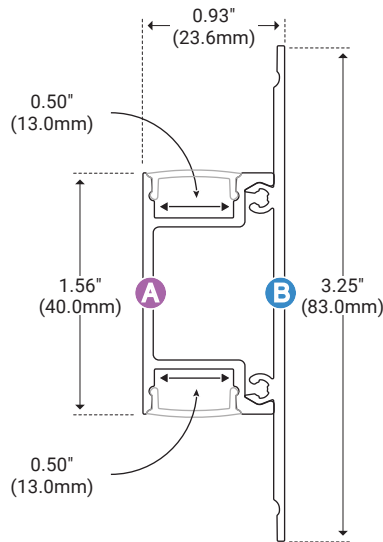
## I Features

- Available in 2 Meter Sections
- Extruded Aluminum Construction
- Anodized Matte Finish
- Consult Factory for Custom Lengths & Finishes


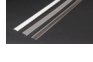



## I Specifications

Series	CH-241-M
Length	78.74" (2M)
Width	0.93" (23.6mm)
Internal Width	0.50" (13.0mm)
Height	3.25" (83.0mm)

## I Dimensions



## I Options

Description	Unit Number
 White Lens	WH
 Frosted Lens	FR
 Clear Lens	CL
 End Cap With Hole	EC
 End Cap Without Hole	EC

## I Product Code Builder

Series	Length	Lens	Mounting	End Cap
<b>CH-241-M</b>	<b>2</b>		<b>NA</b>	<b>EC</b>
CH-241-M – CH-241-M	2 – 2 Meters	WH – White FR – Frosted CL – Clear	NA – Not Applicable	EC – End Caps (included)

Example: CH-241-M-2-WH-NA-EC