

FIXTURE TYPE _____

PROJECT NAME _____

LOCATION _____



CH-031-C

EXTRUDED ALUMINUM MOUNTING CHANNEL



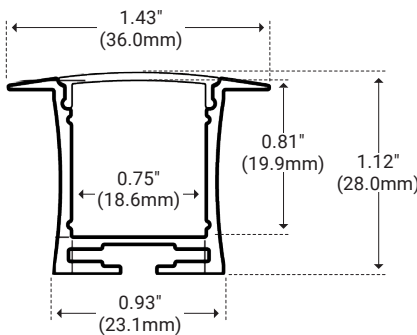
I Features

- Available in 2 Meter Sections
- Extruded Aluminum Construction
- Anodized Matte Finish
- Mitered Corners Available Upon Request
- Consult Factory for Custom Lengths & Finishes

I Specifications

Series	CH-031-C
Length	78.74" (2M)
Width	1.43" (36.0mm)
Height	1.12" (28.0mm)
Internal Width	0.75" (18.6mm)

I Dimensions



I Options

	Description	Unit Number
	White Lens	WH
	Frosted Lens	FR
	Clear Lens	CL
	Spring Clips	SG
	End Cap With Hole	EC
	End Cap Without Hole	EC

I Product Code Builder

Series	Length	Lens	Mounting	End Cap
CH-031-C	2		SG	EC
CH-031-C – CH-031-C	2 – 2 Meters	WH – White FR – Frosted CL – Clear	SG – Spring Clip	EC – End Caps (included)

Example: CH-031-C-2-WH-SG-EC