

FIXTURE TYPE _____

PROJECT NAME _____

LOCATION _____



CH-027

EXTRUDED ALUMINUM MOUNTING CHANNEL



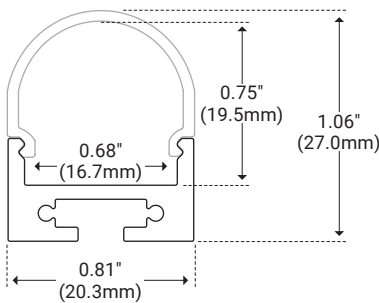
I Features

- Available in 2 Meter Sections
- Extruded Aluminum Construction
- Anodized Matte Finish
- Consult Factory for Custom Lengths & Finishes
- For Indoor Use Only

I Specifications

Series	CH-027
Length	78.74" (2M)
Width	0.81" (20.3mm)
Height	1.06" (27.0mm)
Internal Width	0.68" (16.7mm)

I Dimensions



I Options

	Description	Unit Number
	Frosted Lens	FR
	White Lens	WH
	Mounting Clips	CP
	Suspension Kit	SP
	End Cap With Hole	EC
	End Cap Without Hole	EC

I Product Code Builder

Series	Length	Lens	Mounting	End Cap
CH-027 CH-027 – CH-027	2 2 – 2 Meters	FR – Frosted WH – White	CP – Mounting Clip SP – Suspension Kit	EC EC – End Caps (included)

Example: CH-027-2-FR-CP-EC