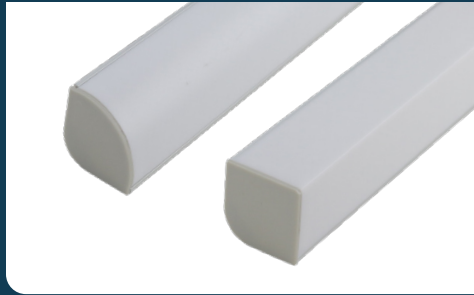


FIXTURE TYPE \_\_\_\_\_

PROJECT NAME \_\_\_\_\_

LOCATION \_\_\_\_\_



# CH-016

EXTRUDED ALUMINUM MOUNTING CHANNEL



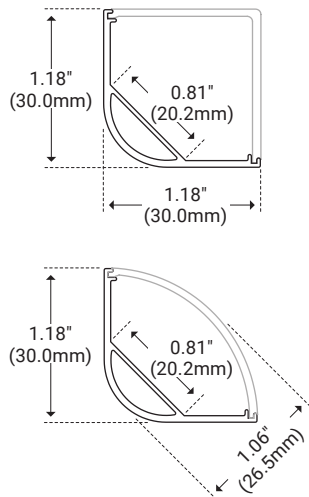
## I Features

- Available in 2 Meter Sections
- Extruded Aluminum Construction
- Anodized Matte Finish
- Consult Factory for Custom Lengths & Finishes
- For Indoor Use Only

## I Specifications

Series	CH-016
Length	78.74" (2M)
Width	1.18" (30.0mm)
Height	1.18" (30.0mm)
Internal Width	0.81" (20.2mm)

## I Dimensions



## I Options

	Discription	Unit Number	Light Transmission
	White Round Lens	WHR	38%
	Frosted Round Lens	FRR	88%
	White Square Lens	WHS	39%
	Frosted Square Lens	FRS	77%
	Round End Cap With Hole	--	
	Round End Cap Without Hole	--	
	Square End Cap With Hole	--	
	Square End Cap Without Hole	--	
	Mounting Clips	CP	

## I Product Code Builder

Series	Length	Lens	Mounting	End Cap
<b>CH-016</b> CH-016 – CH-016	<b>2</b> 2 – 2 Meters	<b>WHR</b> – White Round <b>FRR</b> – Frosted Round <b>WHS</b> – White Square <b>FRS</b> – Frosted Square	<b>CP</b> CP – Mounting Clip	<b>EC</b> EC – End Caps (included)

Example: CH-016-2-WHR-CP-EC