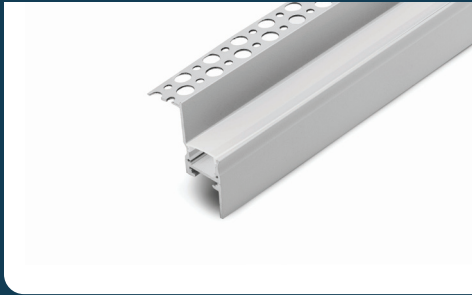


FIXTURE TYPE _____

PROJECT NAME _____

LOCATION _____



CH-0004

TRIMLESS & MUD-IN CHANNEL

Create perfectly flush, seamless lines of light without modifying the structure behind the sheet rock.

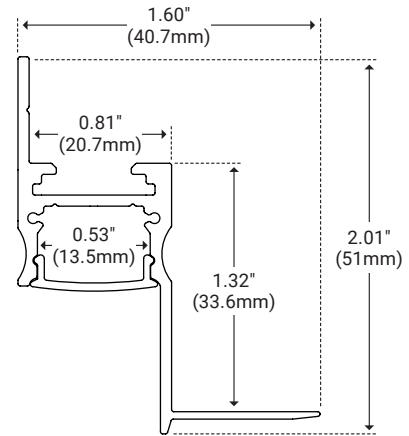


I Features

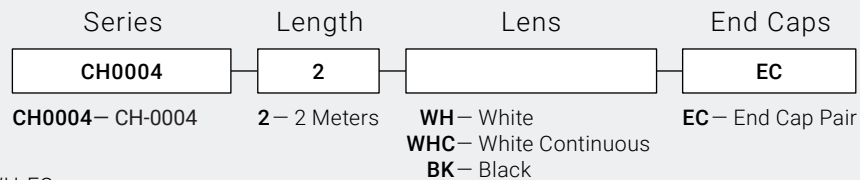
- Available In 78.74" (2m) Sections
- Extruded Aluminum Construction
- Anodized Matte Finish
- Straight and Angled Connectors Available to Create Long, Continuous Runs
- Drywall Mud-in Mounting for a Seamless Recessed Look
- Consult Factory for Custom Lengths and Finishes
- Available In Various Finish Colors

I Dimensions

Length	78.74" (2m)
Width (External)	1.60" (40.7mm)
Width (Internal)	0.53" (13.5mm)
Height	2.01" (51mm)



I Ordering Code Builder



Example: CH0004-2-WH-EC



I Lens



White Lens

Unit Number	CH-LNS-AF-WH-2M	Ordering Code	WH
Dimension	L 78.74" (2m)	W 0.66" (16.8mm)	H 0.20" (5.2mm)
Light transmission	70%		



White Lens Continuous

Unit Number	CH-LNS-AF-WH-CO	Ordering Code	WHC
Dimension	L Varies	W 0.66" (16.8mm)	H 0.20" (5.2mm)
Light Transmission	70%		



Black Lens

Unit Number	CH-LNS-AF-BK-2M	Ordering Code	BK
Dimension	L 78.74" (2m)	W 0.66" (16.8mm)	H 0.20" (5.2mm)
Light transmission	30%		



Disposable Cover

Unit Number	CH-LNS-AF-DISP-2M	Ordering Code	INCLUDED
Dimension	L 78.74" (2m)	W 0.66" (16.8mm)	H 0.20" (5.2mm)
Description	Used to protect interior LED area during installation.		

I End Cap



End Cap Pair

Unit Number	CH-EC-0004	Ordering Code	EC
Dimension	L 0.08" (2mm)	W 0.82" (20.8mm)	H 0.69" (17.5mm)

I Optional Accessories

Product	Unit Number	Description
Straight Connector	CH-CON-04-180	Secure two pieces of channel together to form a continuous run of light.
90° Connector Horizontal	CH-CON-04-90H	Secure two pieces of channel together to form a 90° horizontal corner.
90° Connector Vertical	CH-CON-04-90V	Secure two pieces of channel together to form a 90° vertical corner.
135° Connector Horizontal	CH-CON-04-135H	Secure two pieces of channel together to form a 135° horizontal corner.
135° Connector Vertical	CH-CON-04-135V	Secure two pieces of channel together to form a 135° vertical corner.