



50HE-24V

50 WATT - 24 VOLT | UNIVERSAL DIMMING

CLASS 2 POWER SUPPLY

Fixture Type: _____

Project: _____

Location: _____



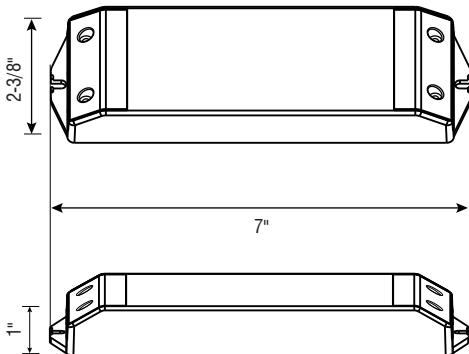
PRODUCT FEATURES

- Hardwire power supply with forward & reverse phase dimming
- Primary side dimmable - ELV/MLV/INC
- Rated for indoor use
- ETL listed
- Class 2

SPECIFICATIONS

Model	50HE-24V
Input Voltage	120V AC
Output Voltage	24VDC / Constant Voltage
Max Wattage	50W
Temp Range	-20°F – 158°F
Dimensions L*W*D	7" × 2-3/8" × 1"
Classification	Class 2

DIMENSIONS

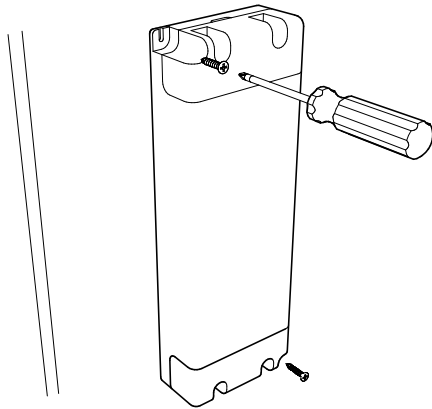




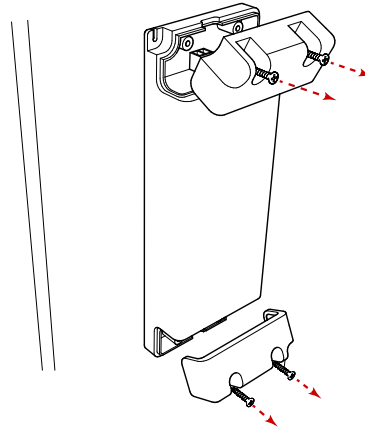
50HE-24V

INSTALLATION INSTRUCTIONS

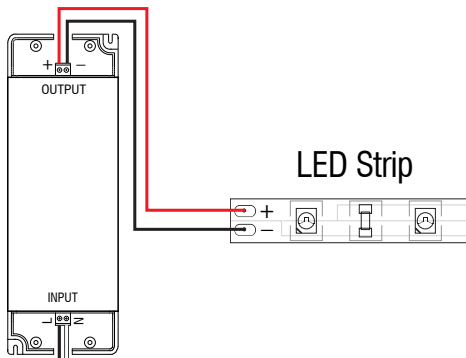
① Secure power supply to mounting surface



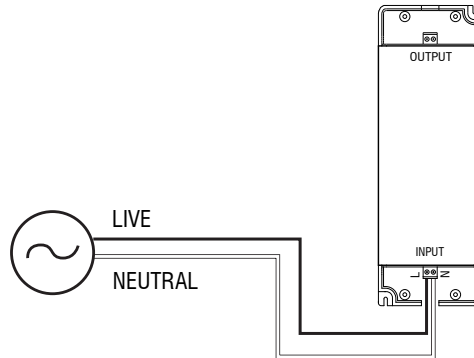
② Remove wiring covers



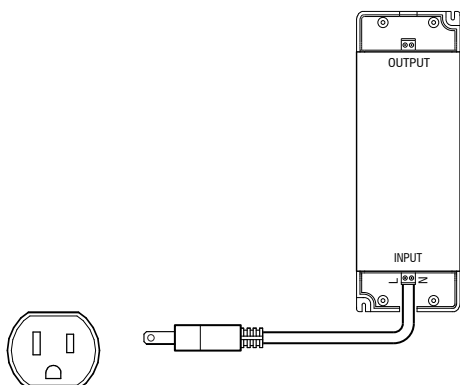
③ Observe polarity and connect power supply output and LED strip



④ Connect primary side wires to AC line voltage power source



⑤ Optional: connect plug-in power feed to power supply in lieu of hardwire connection



⑥ Replace wiring covers

