

FIXTURE TYPE \_\_\_\_\_

PROJECT NAME \_\_\_\_\_

LOCATION \_\_\_\_\_



# 0-10V-1CH

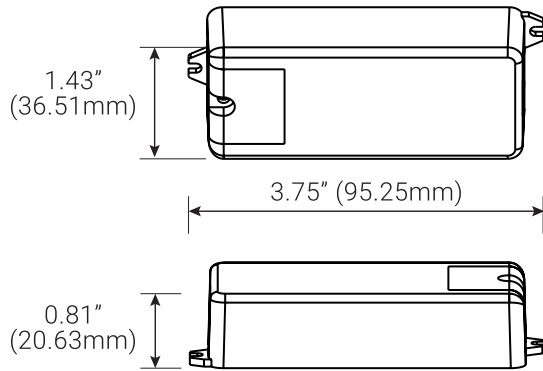
1 Channel | Single Color | 0-10V Dimmer



## I Features

- 1-Channel 0-10V Dimming Module
- 0-100% Logarithmic Dimming Range
- 256 Dim Increments for Smooth Transitions
- Analog Dim Driver With 0-10V Signal Input
- PWM Output

## I Dimensions



## I Series Spec

Series	0-10V-1CH
Input Voltage	12-24V DC
Output Voltage	1 x 8A
Constant Voltage	Yes
Device Color	White
Length	3.75" (95.25mm)
Width	1.43" (36.51mm)
Height	0.81" (20.63mm)
IP Rating	IP20
Dimming Range	0% - 100%
Dim Increments	0-255
Dimming Standard	PWM
Operating Temperature	-4°F (-20°C) to 122°F (50°C)
Storage Temperature	-4°F (-20°C) to 167°F (75°C)

## I Wiring Example

