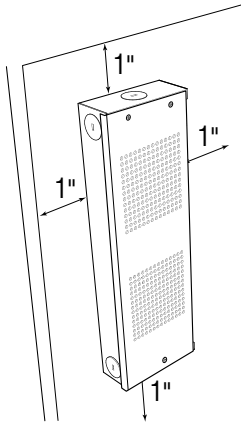




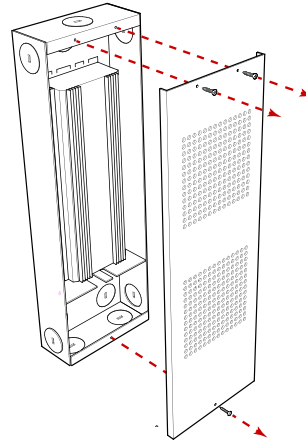
ULV96

INSTALLATION INSTRUCTIONS

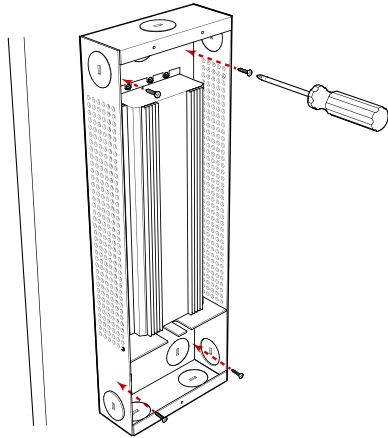
① 1" minimum clearance.



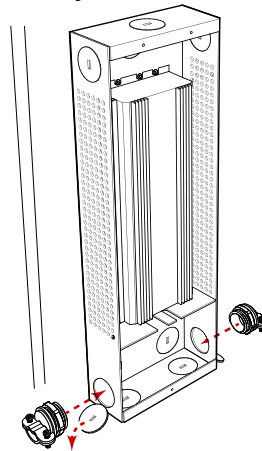
② Remove wiring cover.



③ Secure power supply to mounting surface.



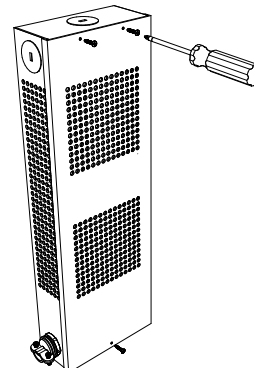
④ Install romex connectors in 1/2 KOs where necessary.



⑤ Refer to ULV96 Wiring Options (next page) to configure setup for the appropriate application.



⑥ Replace wiring cover.

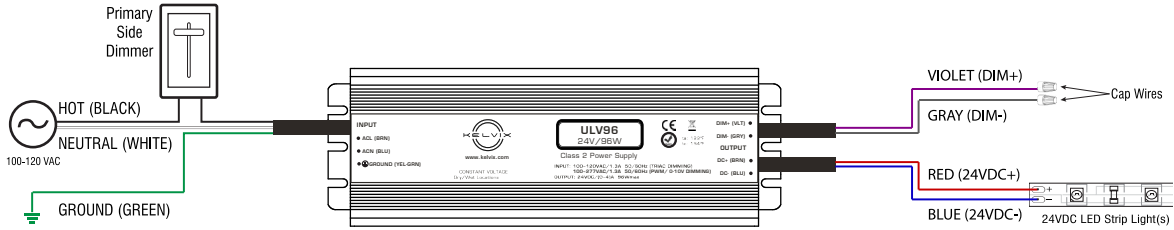




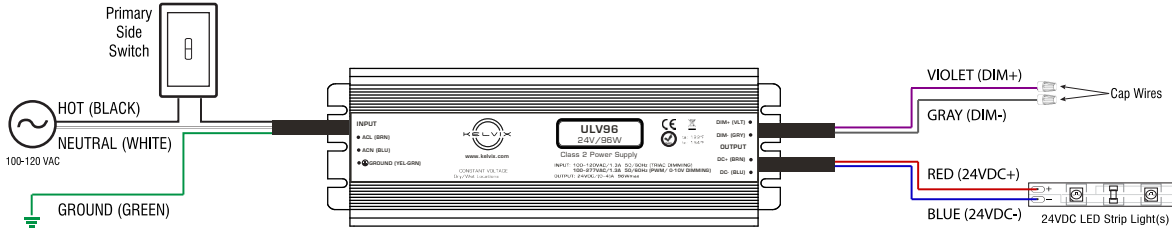
ULV96

WIRING OPTIONS

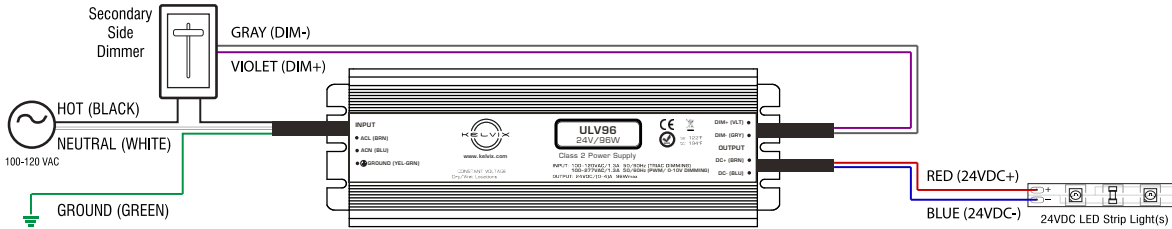
PRIMARY SIDE DIMMING (120V ONLY)



PRIMARY SIDE SWITCHING (120-277V)



SECONDARY SIDE DIMMING (0-10V)



SECONDARY SIDE DIMMING (DMX)

