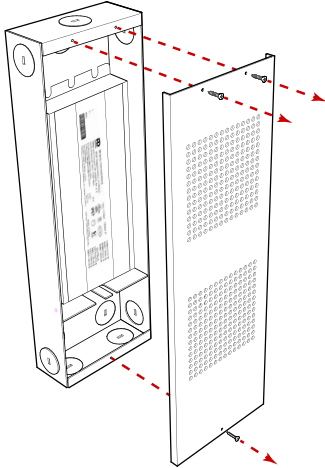




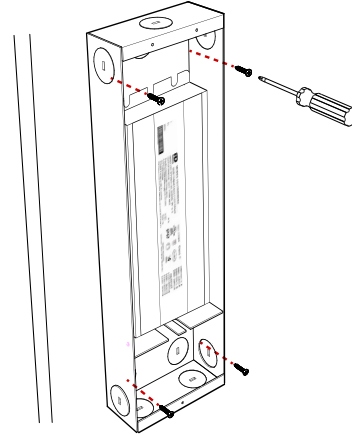
ULV192

INSTALLATION INSTRUCTIONS

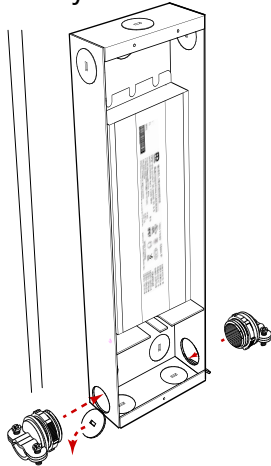
① Remove wiring cover



② Secure power supply to mounting surface



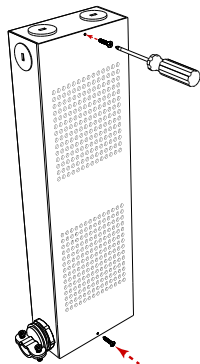
③ Instal romex connectors in 1/2 KOs where necessary



④ Refer to ULV192 Wiring Options (next page) to configure setup for the appropriate application



⑤ Replace wiring cover



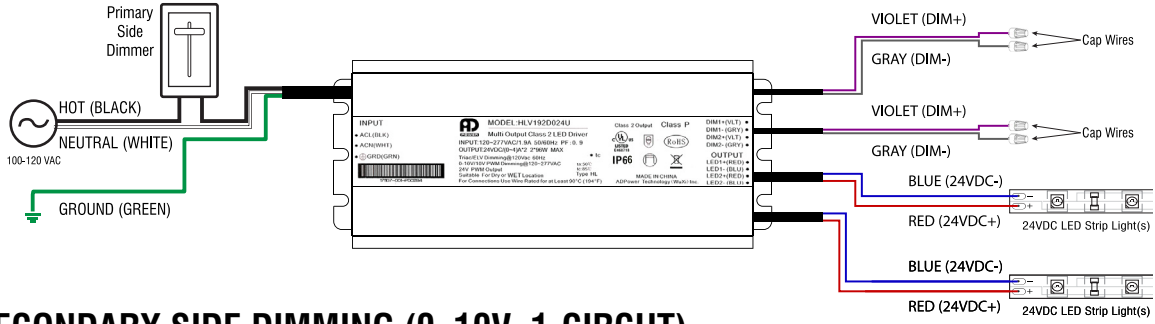


ULV192

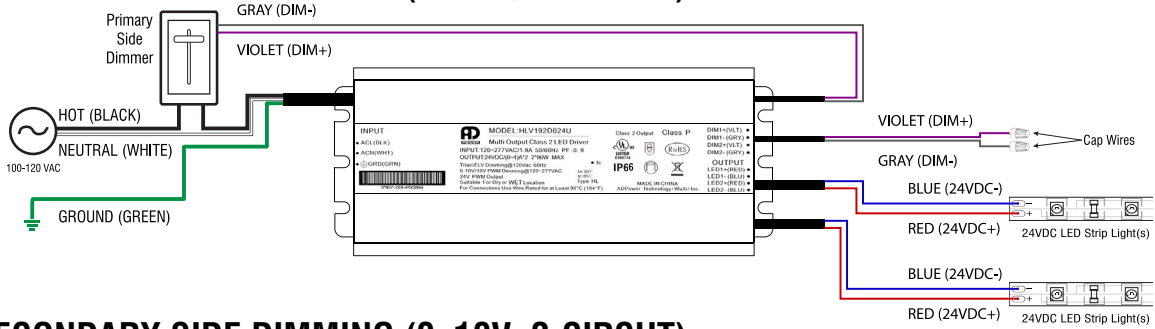
192 WATT (2 × 96 W)—24 VOLT | CLASS 2 SUPPLY

TYPICAL APPLICATION

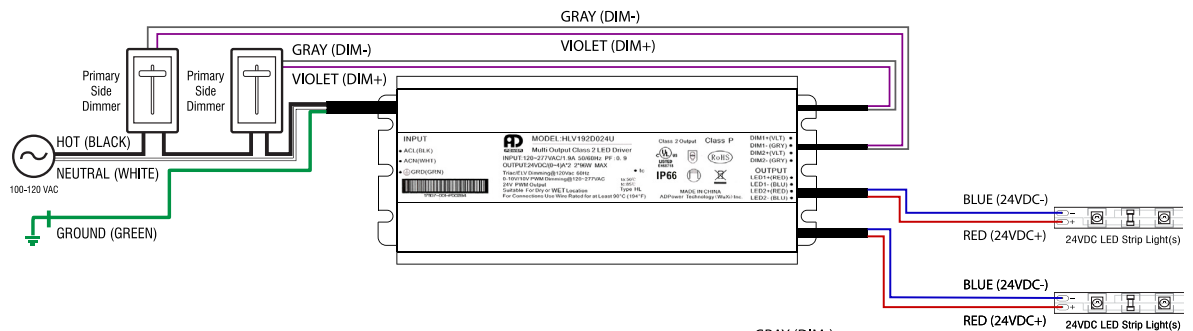
PRIMARY SIDE DIMMING (120V ONLY)



SECONDARY SIDE DIMMING (0-10V, 1-CIRCUIT)



SECONDARY SIDE DIMMING (0-10V, 2-CIRCUIT)



SECONDARY SIDE DIMMING (DMX)

