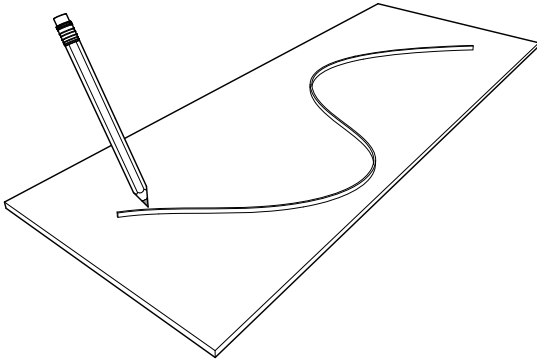




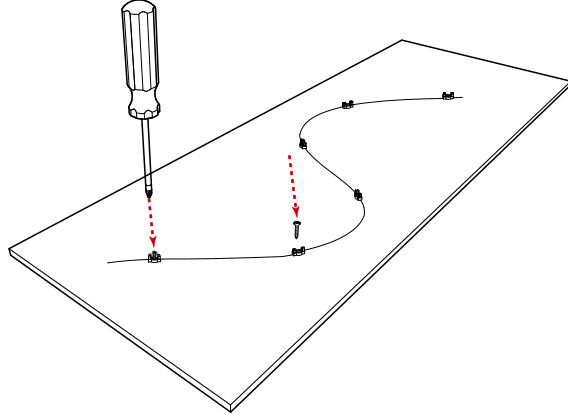
SLINX™

INSTALLATION INSTRUCTIONS (MOUNTING CLIPS)

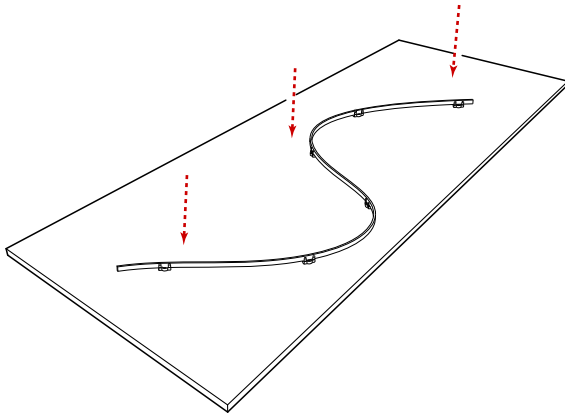
- ① Layout Slinx™ in desired configuration then trace outline on mounting surface



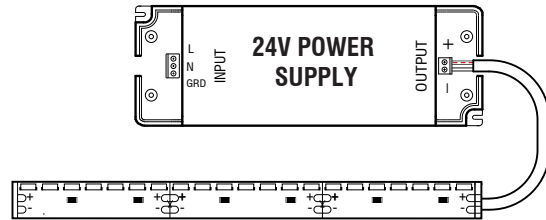
- ② Screw clips to mounting surface along traced outline from step 1



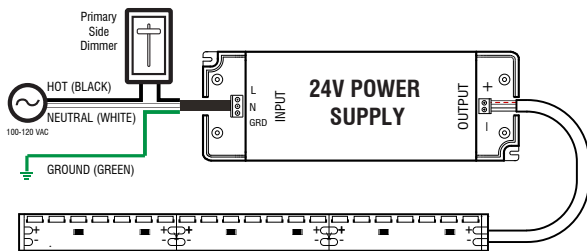
- ③ Press Slinx™ into mounting clips



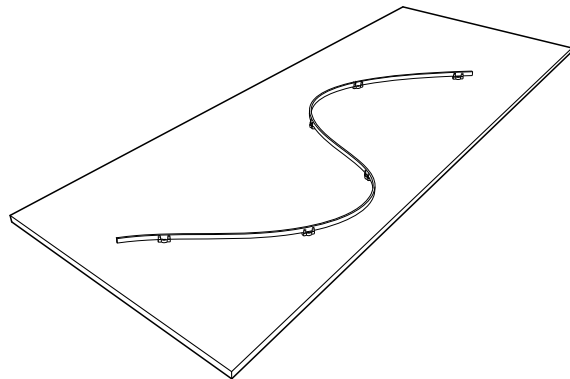
- ④ Connect power feed to power supply



- ⑤ Connect primary side of power supply to AC line voltage power source



- ⑥ Turn power on.

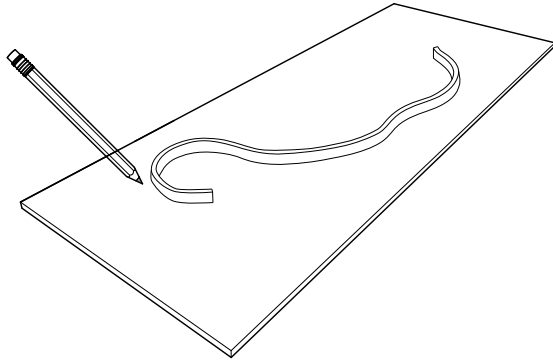




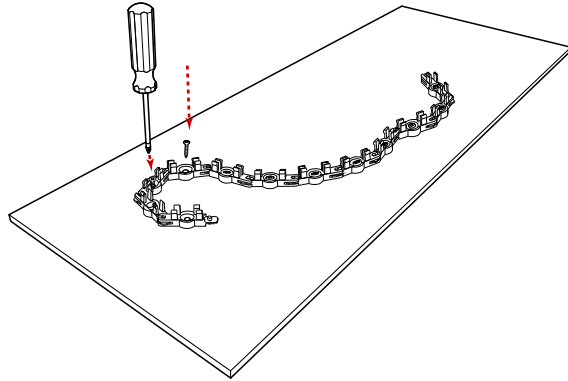
SLINX™

INSTALLATION INSTRUCTIONS (PIVOT CLIPS)

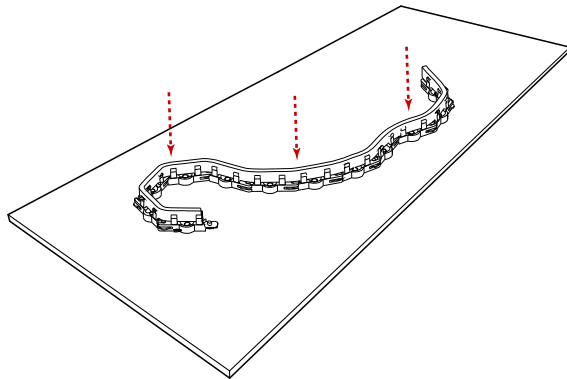
- 1 Layout Slinx™ in desired configuration then trace outline on mounting surface



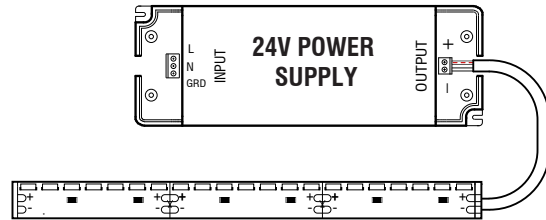
- 2 Screw clips to mounting surface along traced outline from step 1



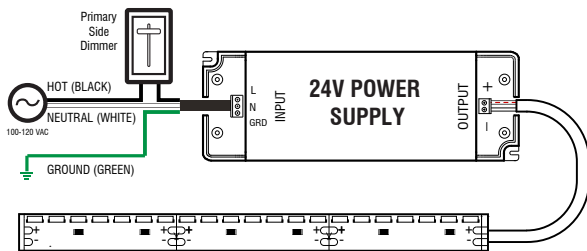
- 3 Press Slinx™ into mounting clips



- 4 Connect power feed to power supply



- 5 Connect primary side of power supply to AC line voltage power source



- 6 Turn power on.

