



AC Zolo™ 7 (Standoff Mounting)

Installation Instructions



SAFETY PRECAUTIONS:

WARNING – SHOCK HAZARD! BEFORE CONNECTING, TURN AC POWER OFF AT CIRCUIT BREAKER. Failure to do so may result in serious injury or death.

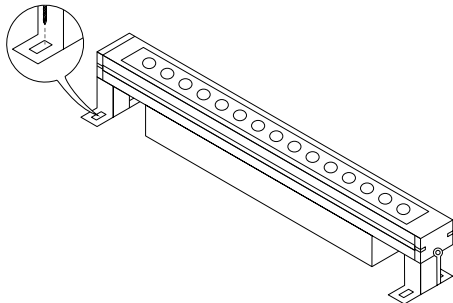
Products should be installed and serviced by a qualified, licensed electrician in accordance with applicable local and national electrical safety codes.

Never install within 10 ft or less from the nearest edge of a pool, spa, fountain, or similar location.

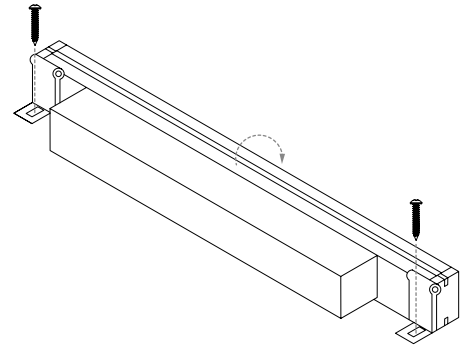
Never use currents or voltages that are not compatible.

Never modify or take apart Kelvix components beyond instructions or the warranty will be void.

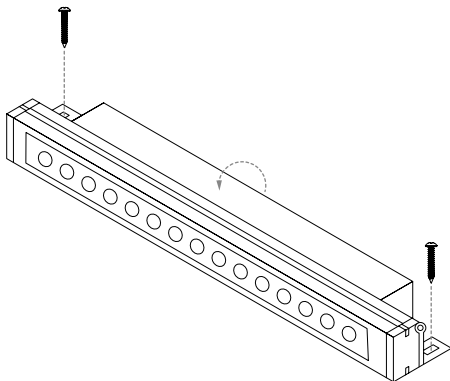
- 1 | Position the fixture and mark the screw hole locations. Once the holes have been marked, pre-drill as needed.



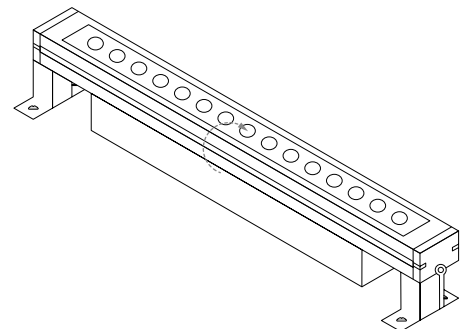
- 2 | Re-position the fixture and rotate it to one side. Locate the marked or pre-drilled holes. Attach with appropriate hardware.



- 3 | Fully rotate the fixture to the other side to expose the remaining holes. Attach with appropriate hardware.



- 4 | Rotate fixture back to proper position. Tighten stand off pivot bolt to secure desired angle.

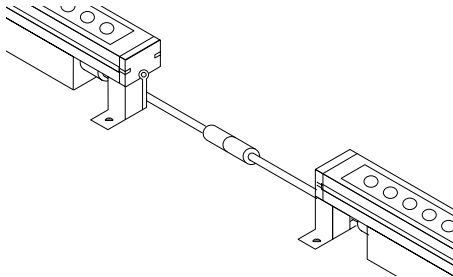




AC Zolo™ 7 (Standoff Mounting)

Installation Instructions

5 | Connect each of the desired units in series using integrated cables or provided connectors.



6 | Connect the first unit to the appropriate line voltage source. Make sure an end cap is on the last, unused integrated cable connector.

