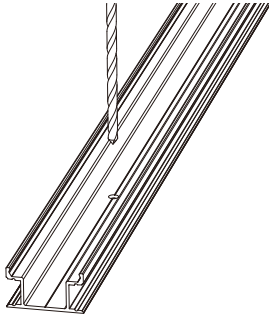


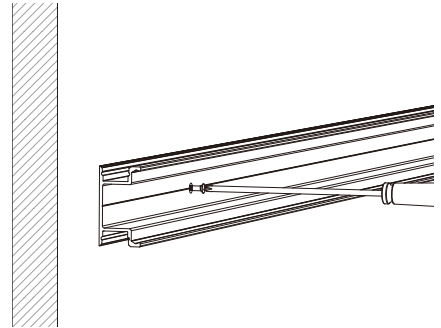
CH-241

Installation Instructions

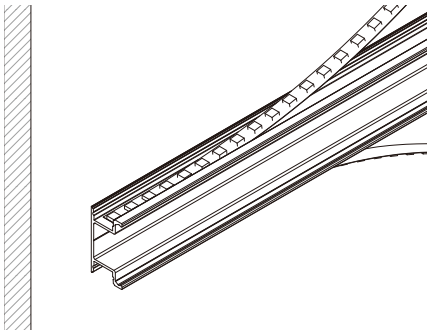
- 1 | Measure desired screw locations and drill hole through channel.



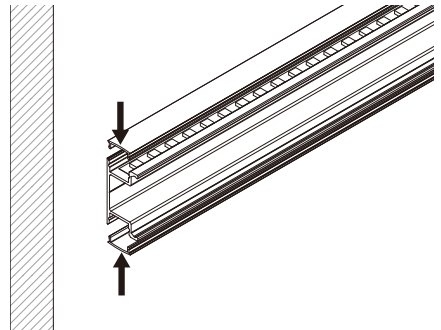
- 2 | Secure channel to wall using pre-drilled holes.



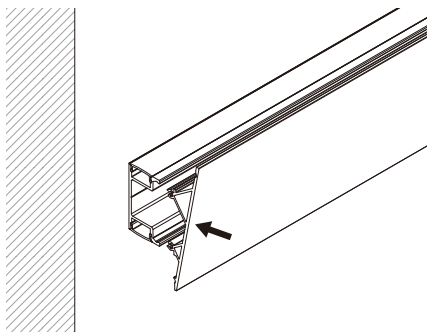
- 3 | Clear tape mounting area of debris and begin adhering tape to top and bottom of channel with leader cable pointed towards power source.



- 4 | Snap in diffuser lenses.



- 5 | Snap in channel cover.



- 6 | Attach end caps and secure using included screws.

