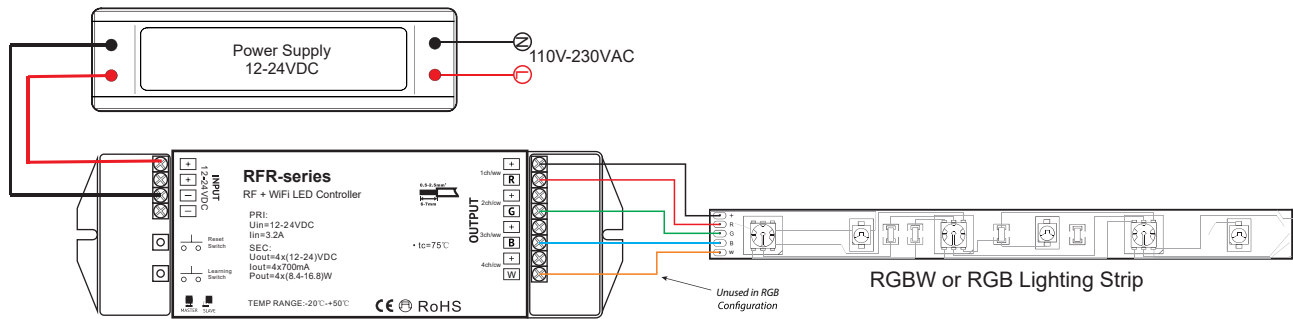




# RFC-A-RGBW-4Z-HH-BT-B

## WIRING INSTRUCTIONS

- 1 Remove the two white plastic covers and connect power supply and LED lighting strip(s) to the RF receiver as shown below:



- 2 Once all connections have been made, apply power to RFR-series receiver.
- 3 Leave white plastic covers off until pairing of receiver and controller has been completed.

## PAIRING INSTRUCTIONS

RFC-A-RGBW-4Z-HH-BT-B  
Handheld Remote Control



RFR-series  
RF Receiver



- 4 Confirm power to RF receiver(s) and insert three AAA batteries into handheld remote(s).
- 5 Wake up the handheld remote by pressing the remote's power [⏻] button.
- 6 Tap the learn button on the RF receiver.
- 7 Assign the RF receiver to a zone on the remote control by pressing and holding the desired zone button [1, 2, 3, or 4] for two seconds, until the light in that zone briefly flashes to indicate assignment was received.\*

\*Steps 5-7 must be completed within a fifteen second period

- 8 Repeat steps 5-7 for any additional RF receivers and/or remotes in the system.

Note: Multiple receivers can be assigned to the same zone button. Receivers assigned to the same zone button will function in unison.

Note: One RFR-series receiver can be paired with up to eight different handheld, tabletop, and/or in-wall remote controllers.

Note: To erase all stored pairing memory from RF receiver, press and hold the learning key for five seconds. The connected lights will briefly flash to indicate memory has been erased.