



Optical Channel Surface Screw Mount

Installation Instructions

⚠ SAFETY PRECAUTIONS

The mounting means provided with this luminaire has not been evaluated for reliability. If installed where failure of the mounting could cause injury to persons or damage to property below, supplemental means of securement should be considered.

Do not power on LED Strip until entire tape is removed from reel.

Do not fold, crease, twist, or bend LED Strip at sharp angles.

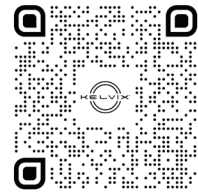
Do not cut LED Strip with Power Connected.

Connect power feed to appropriate power source or controls.

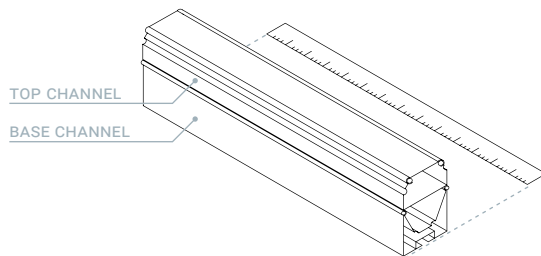
Ensure power supply voltage is compatible with tape product.

Refer to Power Chart to ensure LED Strip length is suitable for power supply.

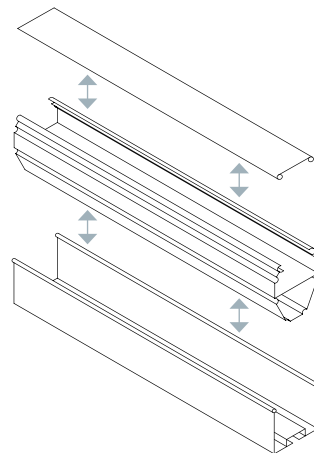
INSTALL VIDEO



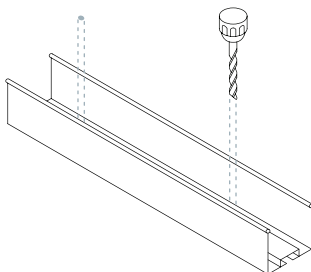
- 1 | To ensure even lengths snap channel pieces together with lenses inserted prior to cutting.



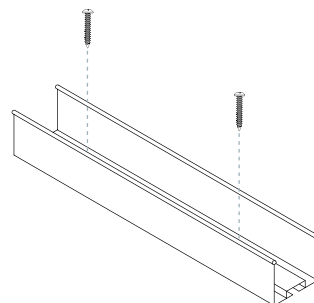
- 2 | After cutting detach channels using a tool and remove lens from channel.



- 3 | Drill mounting holes through channel.

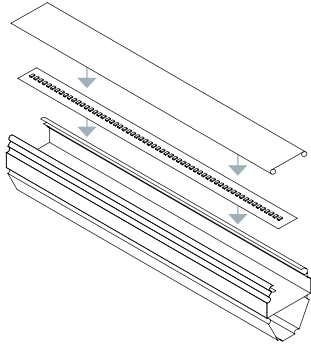


- 4 | Screw through pre-drilled holes directly into mounting surface.

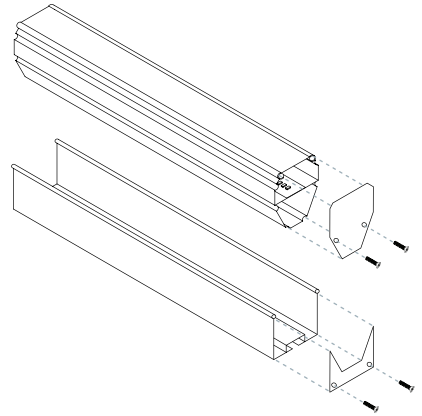




5 | Install LED strip centered in groove of top channel and attach lens. If using optical lens, slide in one at a time.



6 | Attach end caps, using included screws, to channel.



7 | Snap top and base channels together at desired angle.

