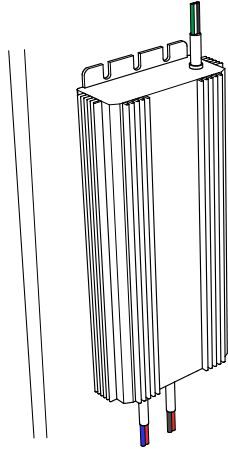




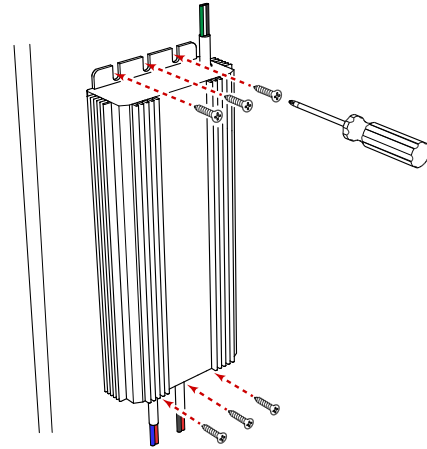
# HLV96

## INSTALLATION INSTRUCTIONS

① Orient power supply in desired position



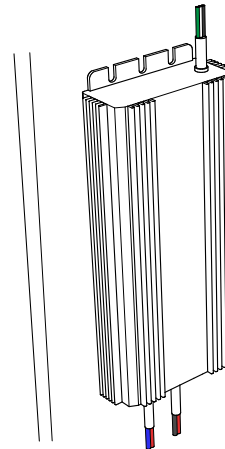
② Secure power supply to mounting surface



③ Refer to HLV96 Wiring Options (next page) to configure setup for the appropriate application



④ Confirm mounting position and wiring configuration are as desired.

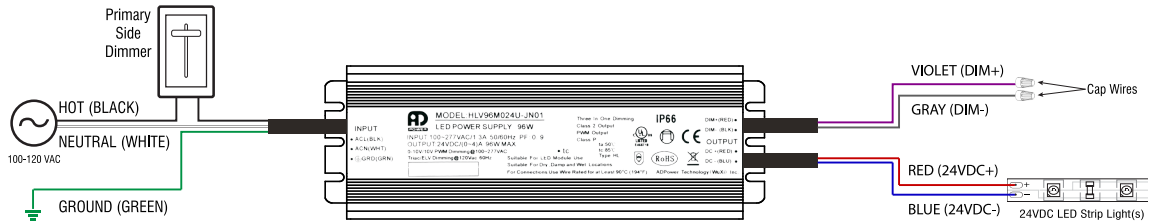




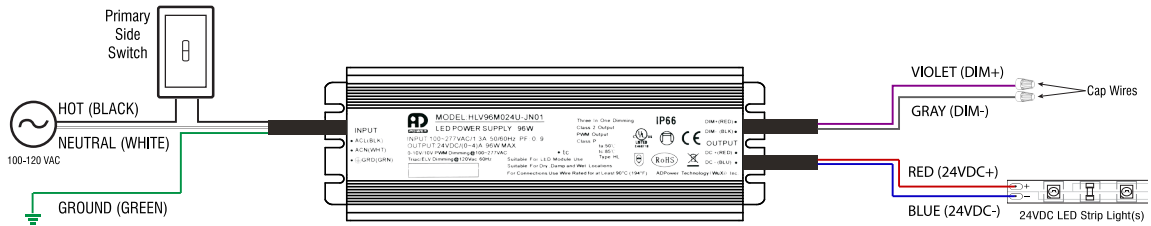
# HLV96

## WIRING OPTIONS

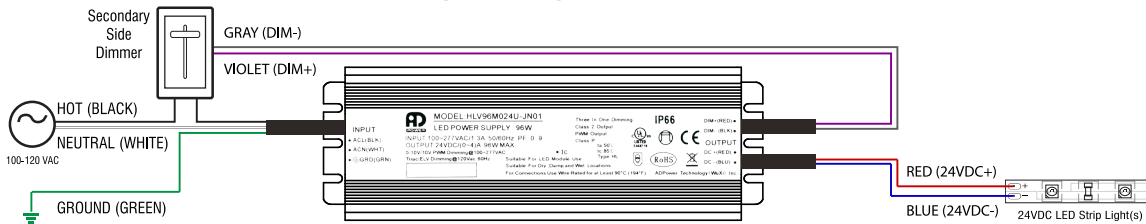
### PRIMARY SIDE DIMMING (120V ONLY)



### SECONDARY SIDE SWITCHING (120-277V)



### SECONDARY SIDE DIMMING (0-10V)



### SECONDARY SIDE DIMMING (DMX)

