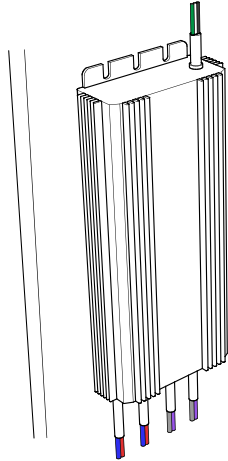




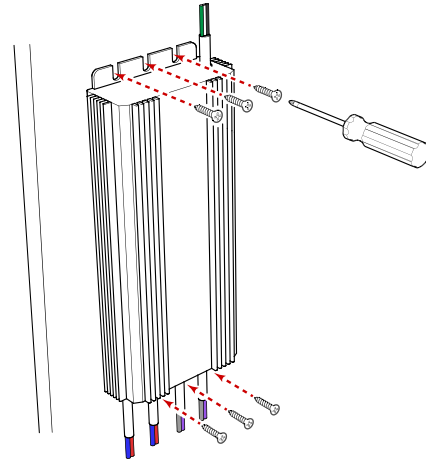
# HLV192

## INSTALLATION INSTRUCTIONS

① Orient power supply in desired position



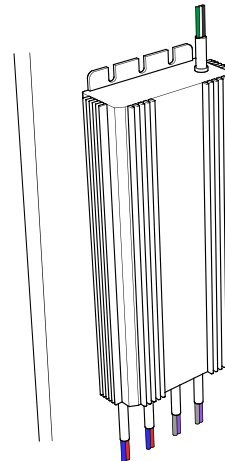
② Secure power supply to mounting surface



③ Refer to HLV192 Wiring Options (next page) to configure setup for the appropriate application



④ Confirm mounting position and wiring configuration are as desired.

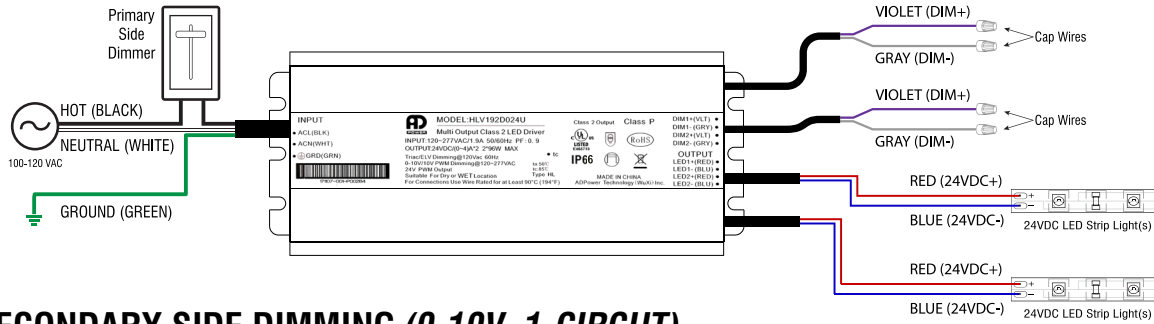




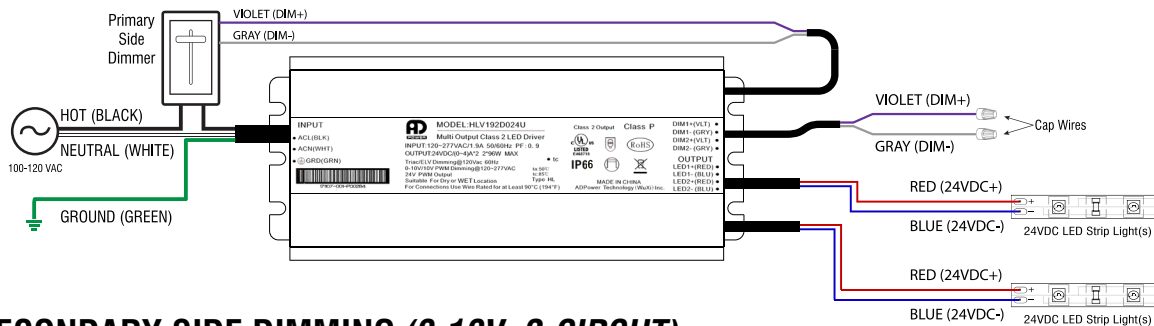
# HLV192

## WIRING OPTIONS

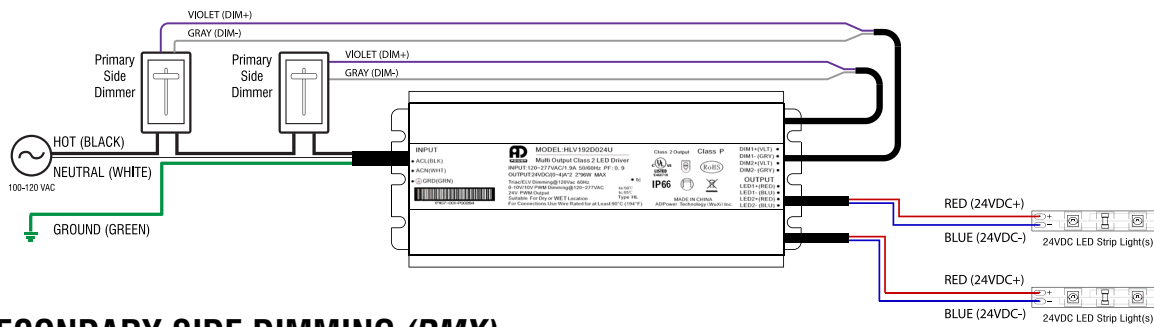
### PRIMARY SIDE DIMMING (120V ONLY)



### SECONDARY SIDE DIMMING (0-10V, 1-CIRCUIT)



### SECONDARY SIDE DIMMING (0-10V, 2-CIRCUIT)



### SECONDARY SIDE DIMMING (DMX)

