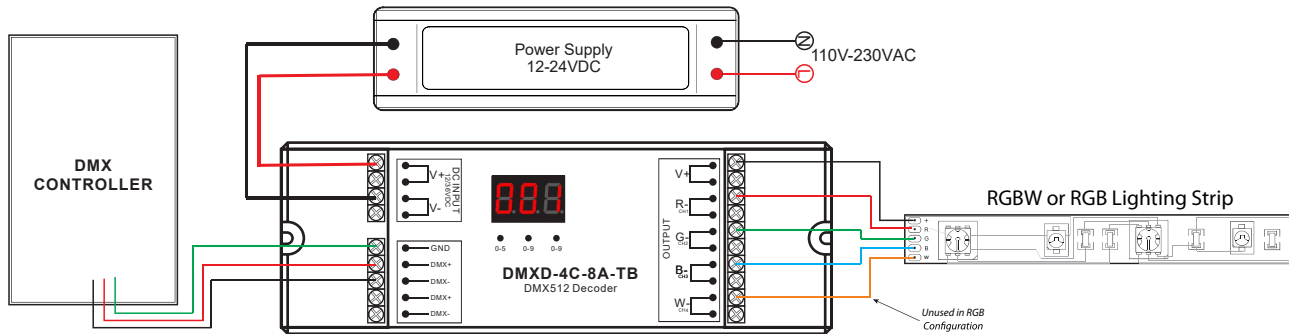




DMXD-4C-8A-TB

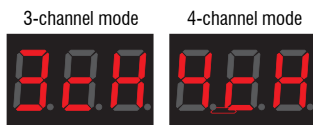
SETUP INSTRUCTIONS

- 1 Remove the two white plastic covers and connect power supply, DMX signal, and LED lighting strip(s) to the DMX512 decoder following the option below that best represents your lighting configuration:



- 2 Once all connections have been made, replace two white plastic covers and apply power to decoder.
- 3 The DMXD-4C-8A-TB is set to 4-channel mode (for RGBW) by default. To change decoder's channel configuration:

- a) Press & hold 2nd and 3rd buttons on decoder for 3 seconds until "cH" display flashes.
- b) Press 1st button to toggle between one, two, three, & four channel modes, as indicated below:



- c) Press & hold any button for 3 seconds to exit channel configuration mode.

- 4 Set decoder to desired DMX start address:
 - a) Press & hold any of the three buttons on decoder for 3 seconds until address blinks.
 - b) Use right button (0-9) to change 1st digit, middle button (0-9) to change 2nd digit, and left button (0-5) to change 3rd digit.

DMX start address 001



(example)

- c) Press & hold any of the three buttons on decoder to exit DMX addressing mode.

Note: Multiple decoders set to the same DMX address will function in unison.

Note: The DMXD-4C-8A-TB decoder complies to standard DMX512 protocol and is compatible with any third party standard DMX512 controller.

Note: For example, if decoder is set to DMX address 001:

In 1cH mode, channels 1, 2, 3, & 4 = DMX address 001.
In 2cH mode, channels 1 & 3 = DMX address 001 and channels 2 & 4 = DMX address 002.
In 3cH mode, channel 1 = 001, channel 2 = 002, channel 3 = 003, and channel 4 = 001.
In 4cH mode, channel 1 = 001, channel 2 = 002, channel 3 = 003, and channel 4 = 004.

To adjust PWM (pulse-width modulation) and dimming style:

Press and hold 1st and 3rd button for 2 seconds until "P_c" is displayed. In this mode, "P" stands for PWM frequency and "c" stands for dimming option. Press 1st button to toggle PWM between "1" (for 1500Hz) and "2" (for 200Hz). Press 3rd button to toggle dimming style between "1" (for logarithmic dimming) and "2" (for linear dimming). Default is "2_2".