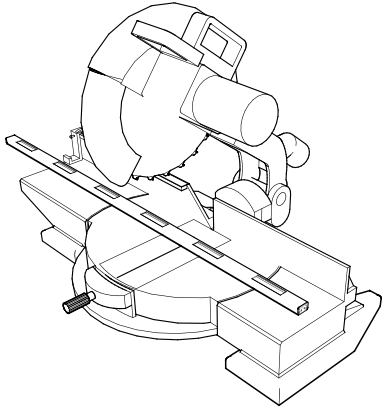




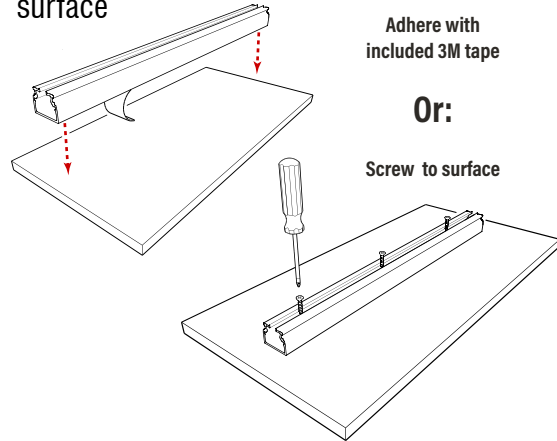
CorTrac™ 1

INSTALLATION INSTRUCTIONS (DEEP & ANGLED CHANNEL)

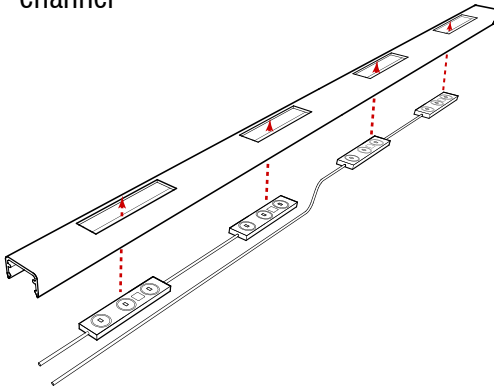
- ① Cut channel to desired length (see next page for layout examples)



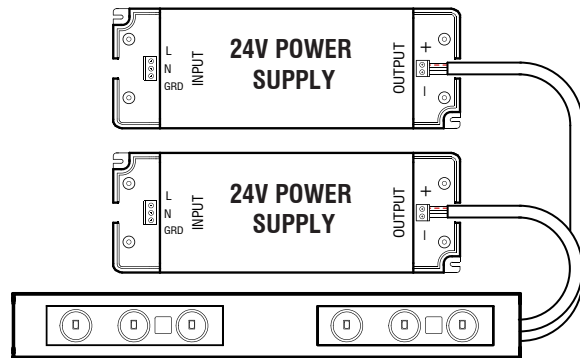
- ② Secure bottom half of channel to mounting surface



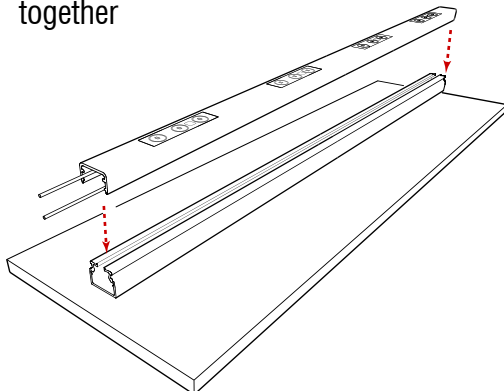
- ③ For runs exceeding max wattage, snap additional LED cable into top half of channel



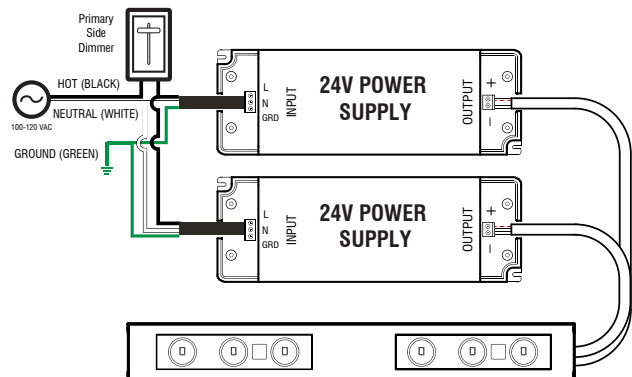
- ④ Connect power feeds to power supplies (do not exceed max wattage per power supply!)



- ⑤ Run power feeds through bottom half of channel then connect two halves together



- ⑥ Connect primary side of power supplies to AC line voltage power source

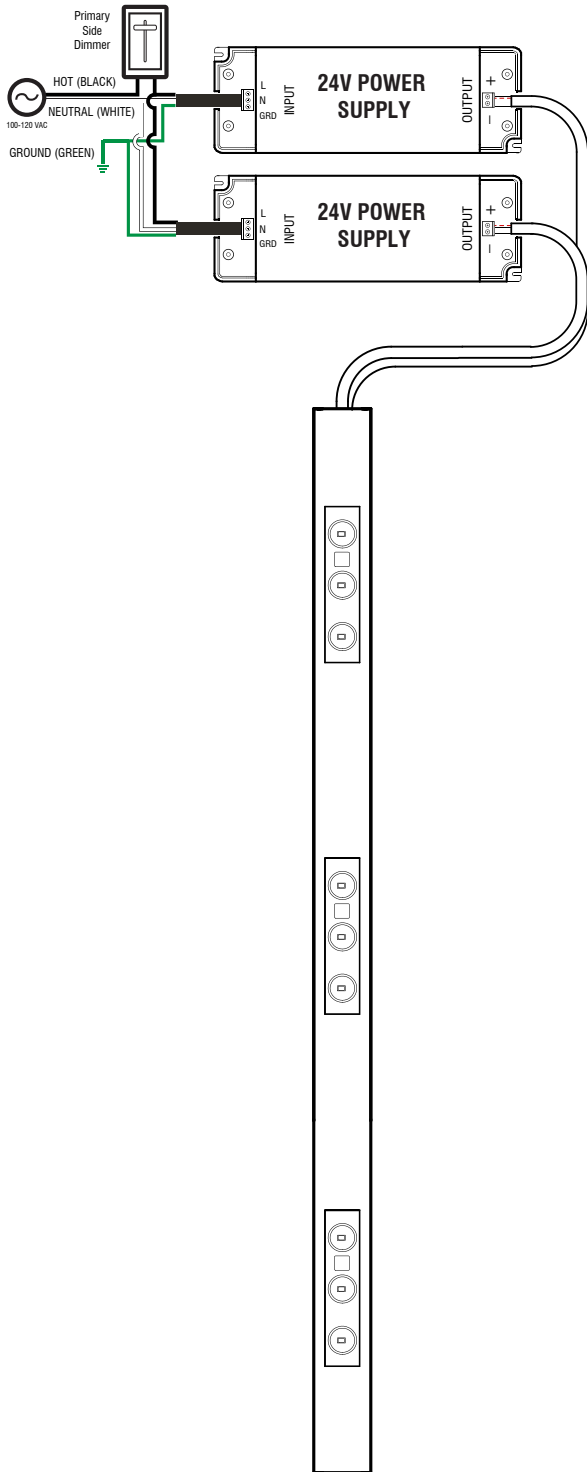




CorTrac™ 1

LAYOUT EXAMPLES (DEEP & ANGLED CHANNEL)

LINEAR



MITER

