



# Linear Low Voltage Tape (Outdoor)

## Installation Instructions

### ⚠ SAFETY PRECAUTIONS

Do not field cut outdoor LED Strip unless water-tight seal can be added.

Do not power on LED Strip until entire tape is removed from reel.

Do not cut LED Strip with power connected.

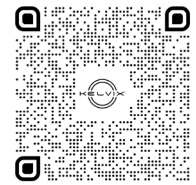
Do not fold, crease, twist, or bend LED Strip at sharp angles.

Connect power feed to appropriate power source or controls.

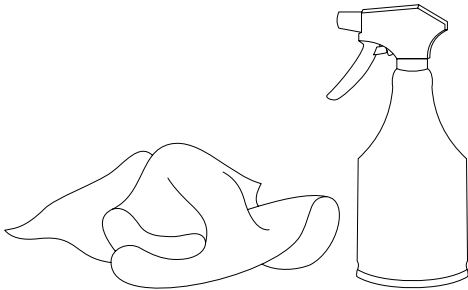
Ensure power supply voltage is compatible with tape product.

Refer to Power Chart to ensure LED Strip length is suitable for power supply.

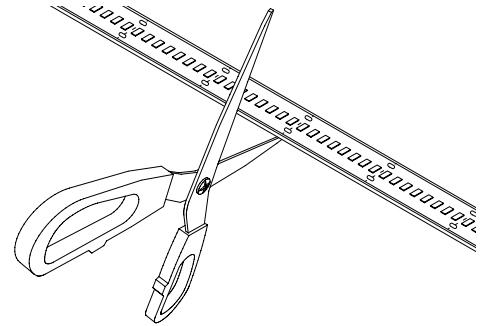
### INSTALL VIDEO



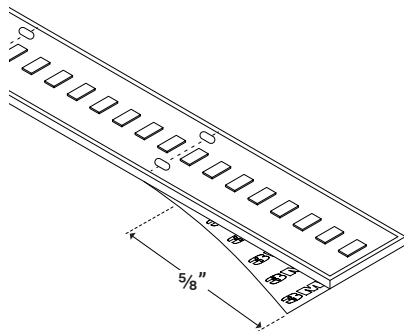
- 1 | Prepare mounting surface by removing any dirt, debris, or moisture.



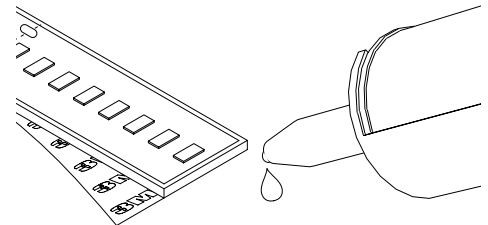
- 2 | If necessary, trim OUTDOOR LED strip to desired length at indicated cut intervals. If no cutting is needed, skip to step 6.



- 3 | To ensure the water tight cap comes into direct contact with the LED strip, Slice and remove  $\frac{5}{8}$ " of the protective liner. Any protective liner remaining inside the cap can prevent a water-tight seal.

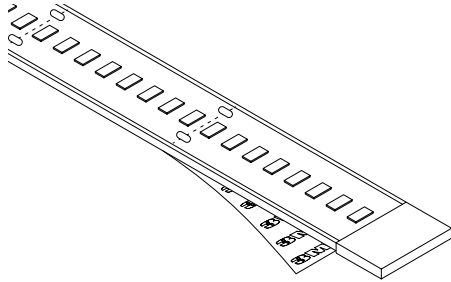


- 4 | Apply a small bead of silicone sealant all the way around the tape near the cut end. Ensure silicone does not ingress into freshly cut tape edge or discoloring can occur.

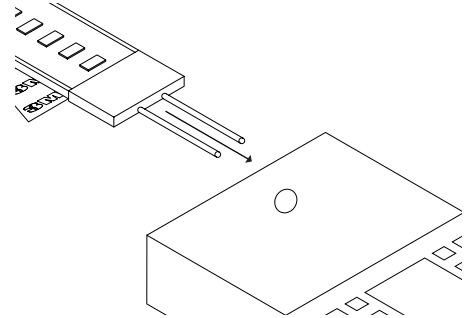




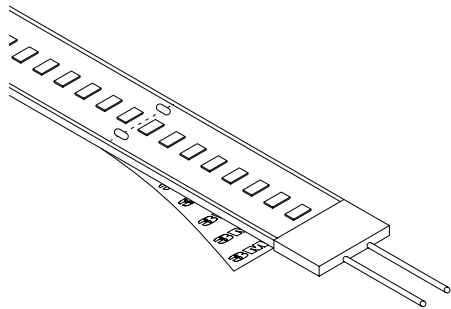
- 5 | Install water-tight end cap. Wipe off excess silicone and wait a minimum of 20-30 minutes for silicone to set before handling strip.



- 6 | Ensure power feed on LED strip is oriented toward power source.



- 7 | Begin peeling back protective liner to expose adhesive. Adhere LED strip to cleaned smooth, non-porous mounting surface by removing liner in short increments.



- 8 | Go back and gently press down along entire strip to ensure firm adhesion and no air pockets.

