



Linear Low Voltage Tape (Indoor)

Installation Instructions

⚠ SAFETY PRECAUTIONS

Do not power on LED Strip until entire tape is removed from reel.

Do not cut LED Strip with power connected.

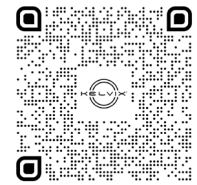
Do not fold, crease, twist, or bend LED Strip at sharp angles.

Connect power feed to appropriate power source or controls.

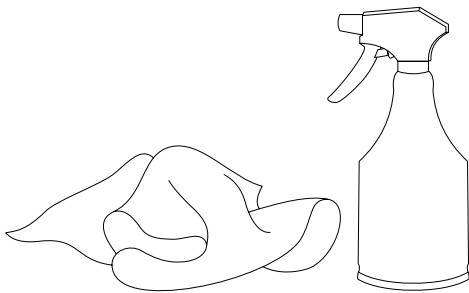
Ensure power supply voltage is compatible with tape product.

Refer to Power Chart to ensure LED Strip length is suitable for power supply.

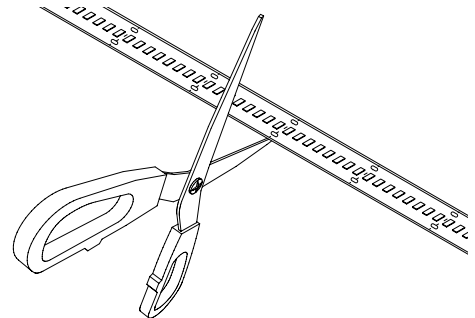
INSTALL VIDEO



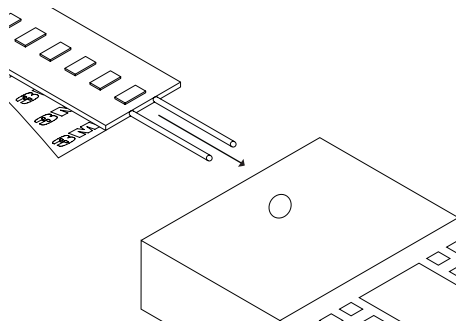
- 1 | Prepare mounting surface by removing any dirt, debris, or moisture.



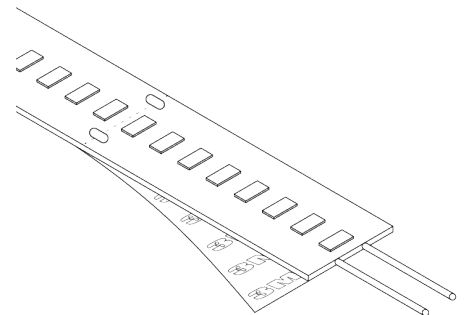
- 2 | If necessary, cut INDOOR LED strip to desired length at indicated cut intervals.



- 3 | Ensure power feed on LED strip is oriented toward power source.



- 4 | Begin peeling back protective liner to expose adhesive. Adhere LED strip to cleaned smooth, non-porous mounting surface by removing the liner in short increments.





- 5 | Go back and gently press down along entire strip to ensure firm adhesion and no air pockets.

