



LCX-1041

0-10V DIMMING MODULE

Fixture Type: _____

Project: _____

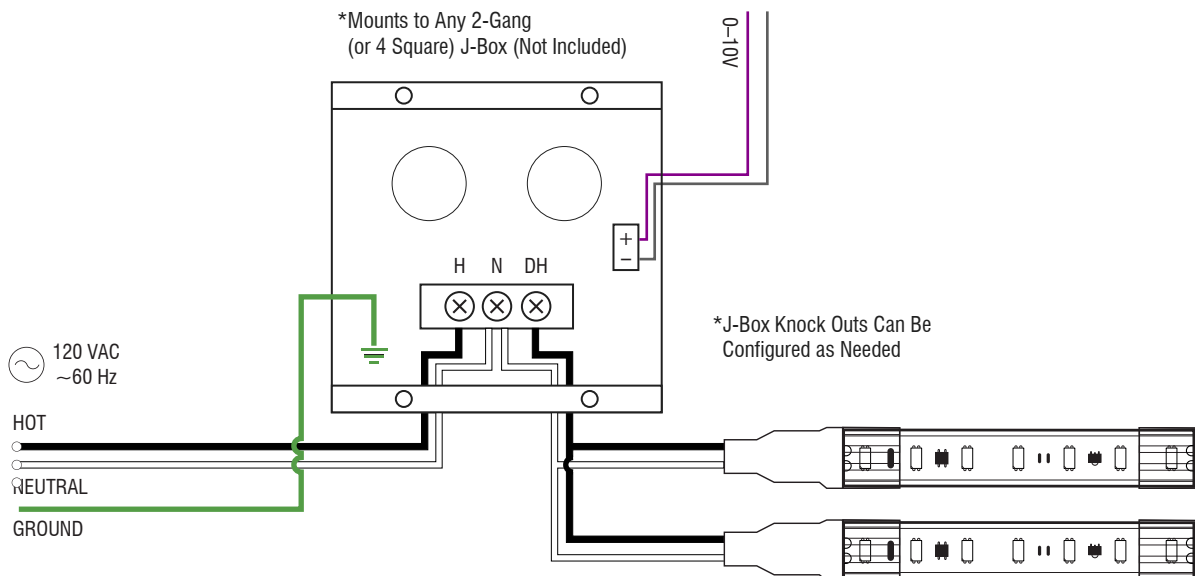
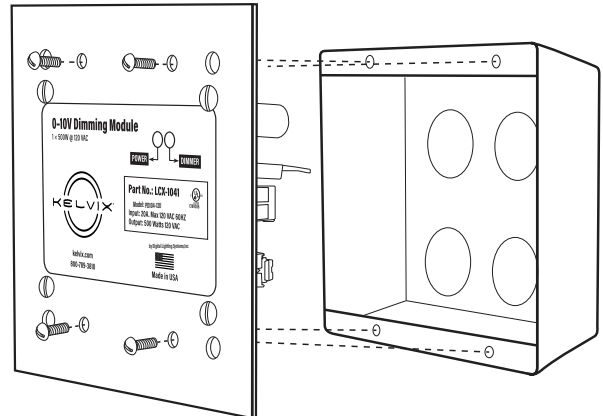
Location: _____

PRODUCT FEATURES

- For Use With OREX™ and Forward Phase Dimmable Fixtures
- 1 Channel × 500W Dimmer @ 120 VAC
- Mounts to Any 2-Gang (or 4 Square) J-Box
- 0-10V Control Inputs

SPECIFICATIONS

Model	LCX-1041
Input Voltage	120 VAC
Output Voltage	120 VAC
Output	500W Max
Standard Consumption	3.2W
Front Panel Dimensions	4.8" × 4.8"
Depth	1.875"
Ambient Temperature	104°F Max



Conforms to ANSI/UL Standard 508
 Certified to CAN/CSA Standard C22.2 No. 14

