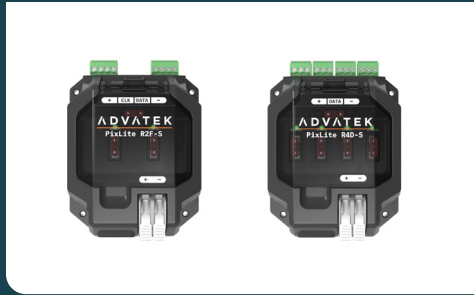


FIXTURE TYPE \_\_\_\_\_

PROJECT NAME \_\_\_\_\_

LOCATION \_\_\_\_\_



# Advatek PixLite R2F-S/R4D-S

Long Range Pixel Data Receiver



Partnered with:  
**ADVATEK**  
LIGHTING



## I Description

The durable and secure TX-R2F/R4D pixel LED receiver is designed for seamless integration with the TX-T8MK3 for long-distance data transmission. With its slimline form factor and ease of use, create stunning, professional-grade light shows over extended distances effortlessly. Must be paired with the T8MK3 transmitter.

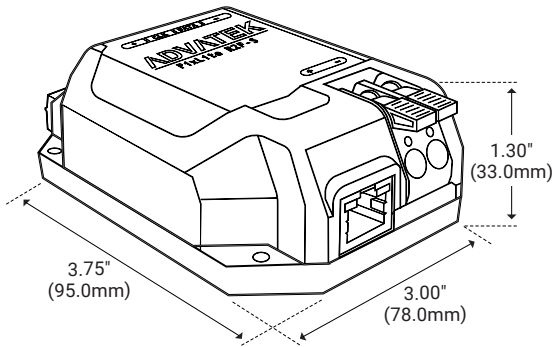
## I Features

- Receive Pixel Data up to 984ft (300m)
- Compact and Slim Design
- Over 50+ Pixel Protocols Supported
- 7.5A Fused Protection Per Output

## I Series Spec

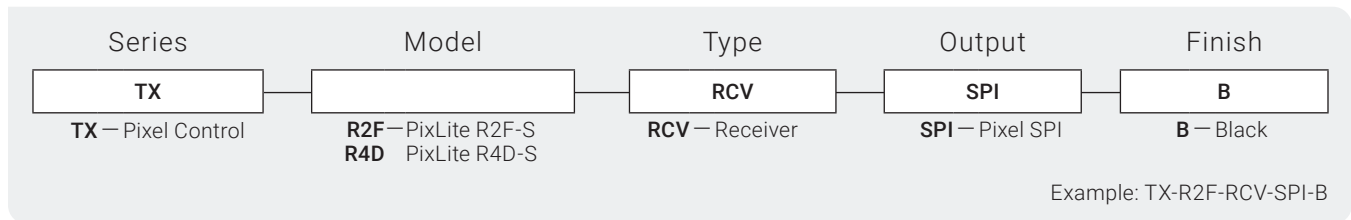
Series	TX
Input Voltage	5–24V DC
Control Outputs	SPI
Per Output Current Limit	7.5A (Mini Blade Fuse)
Total Current Limit	15A (R2F-S)/30A (R4D-S)
Interfacing Input	Single RJ45 Input (from T8-S MK3)
Max Devices	Unlimited, Up to 8 Receivers Per Transmitter
Pixel Protocols	50+
Length	3.75" (95.0mm)
Width	3.00" (78.0mm)
Height	1.30" (33.0mm)
Physical Build	Wall Mount/Din Rail
Temperature	-4F (-20 °C) to 131F (55 °C)

## I Dimensions





## I Product Code Builder



## I Series Data

Model	Code	Pixel Outputs	RGB/RGBW Pixels Per Output	Universes Per Pixel Output	Total Pixel Universes
R2F-S	R2F	2	1020/768	6	12
R4D-S	R4D	4	510/384	3	12

## I Control Outputs

SPI (R2F-S)	(2) 4 Wire Terminal Blocks for data only pixel strips - includes V+, V-, Data, Clock
SPI (R4D-S)	(4) 3 Wire Terminal Blocks for data only pixel strips - includes V+, V-, Data

## I Interfacing Inputs / Outputs

RJ45	Single RJ45 Port for pixel data from T8-S MK3 Transmitter
------	---