

FIXTURE TYPE \_\_\_\_\_

PROJECT NAME \_\_\_\_\_

LOCATION \_\_\_\_\_



# CH-218-N

EXTRUDED ALUMINUM MOUNTING CHANNEL



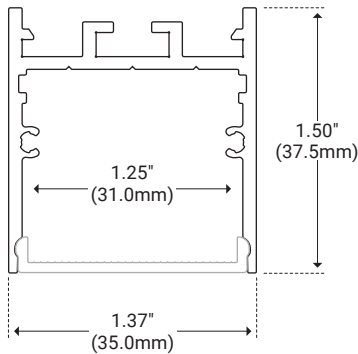
## I Features

- Available in 2 Meter Sections
- Extruded Aluminum Construction
- Anodized Matte Finish
- Consult Factory for Custom Lengths & Finishes

## I Specifications

Series	CH-217-N
Length	78.74" (2M)
Width	1.93" (49.0mm)
Internal Width	1.25" (31.0mm)
Height	1.50" (37.5mm)

## I Dimensions



## I Options

	Description	Unit Number
	White Lens	WH
	Frosted Lens	FR
	Clear Lens	CL
	Suspension Cable	SP
	Mounting Clips	CP
	90° Connector	--
	90° Connector	--
	120° Connector	--
	180° Connector	--
	End Cap With Hole	EC
	End Cap Without Hole	EC

## I Product Code Builder

Series	Length	Lens	Mounting	End Cap
<b>CH218N</b> CH218N – CH-218-N	<b>2</b> 2 – 2 Meters	<b>WH</b> – White <b>FR</b> – Frosted <b>CL</b> – Clear	<b>CP</b> – Mounting Clip <b>SP</b> – Suspension	<b>EC</b> EC – End Caps (included) Example: CH218N-2-WH-CP-EC